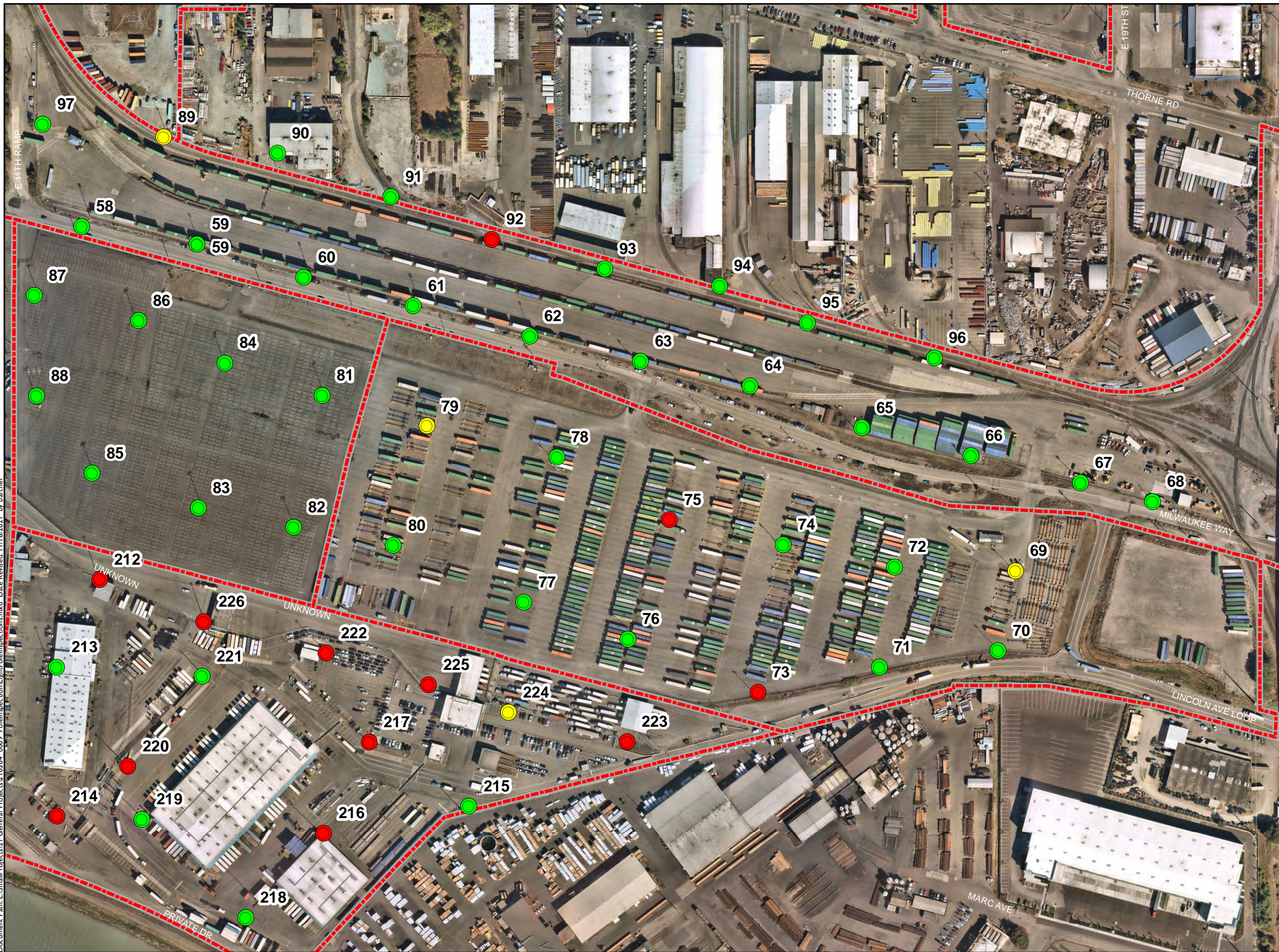


Document Path: L:\Small\Projects\21 General Projects\210304 0009 Polinspection\LightPoleInspection.mxd Date Revised: 11/19/2021 by barcher

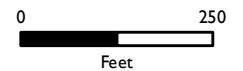


Light Poles Maintained by Port of Tacoma

Name: Auto Warehousing
Port Parcel: 69
Page No.: 2

Legend

- No Priority
- Reject Priority 1
- Reject Priority 2
- Reject Priority 3
- GLSubArea



Data Source: Imagery from Nearmap (dated Aug. 2020)



THE NORTHWEST SEAPORT ALLIANCE

DISCLAIMER: The information included on this map has been compiled by Port of Tacoma staff from a variety of sources and is subject to change without notice. These data are intended for informational purposes and should not be considered authoritative for engineering, navigational, legal and other site-specific uses. The Port of Tacoma makes no representations or warranties, express or implied, as to accuracy, completeness, timeliness, or rights to the use of such information.

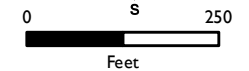


Light Poles Maintained by Port of Tacoma

Name: Auto Warehousing
Port Parcel: 15
Page No.: 4

Legend

- No Priority
- Reject Priority 1
- Reject Priority 2
- Reject Priority 3
- GLSubArea



Data Source: Imagery from Nearmap (dated Aug. 2020)



THE NORTHWEST SEAPORT ALLIANCE

DISCLAIMER: The information included on this map has been compiled by Port of Tacoma staff from a variety of sources and is subject to change without notice. These data are intended for informational purposes and should not be considered authoritative for engineering, navigational, legal and other site-specific uses. The Port of Tacoma makes no representations or warranties, express or implied, as to accuracy, completeness, timeliness, or rights to the use of such information.

Document Path: L:\SmallProjects\21 General Projects\210304 0009 PoleInspection\LightPoleInspection.mxd Date Revised: 11/19/2021 by barcher



Light Poles Maintained by Port of Tacoma

Name: EB1 (Log dock, Blair)
Port Parcel: 17
Page No.: 5

Legend

- No Priority
- Reject Priority 1
- Reject Priority 2
- Reject Priority 3
- GLSubArea



Data Source: Imagery from Nearmap (dated Aug. 2020)



DISCLAIMER: The information included on this map has been compiled by Port of Tacoma staff from a variety of sources and is subject to change without notice. These data are intended for informational purposes and should not be considered authoritative for engineering, navigational, legal and other site-specific uses. The Port of Tacoma makes no representations or warranties, express or implied, as to accuracy, completeness, timeliness, or rights to the use of such information.

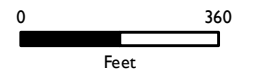


Light Poles Maintained by Port of Tacoma

Name: Pier 7 (Maintenance, NIM yard)
Port Parcel: 27
Page No.: 6

Legend

- No Priority
- Reject Priority 1
- Reject Priority 2
- Reject Priority 3
- GLSubArea



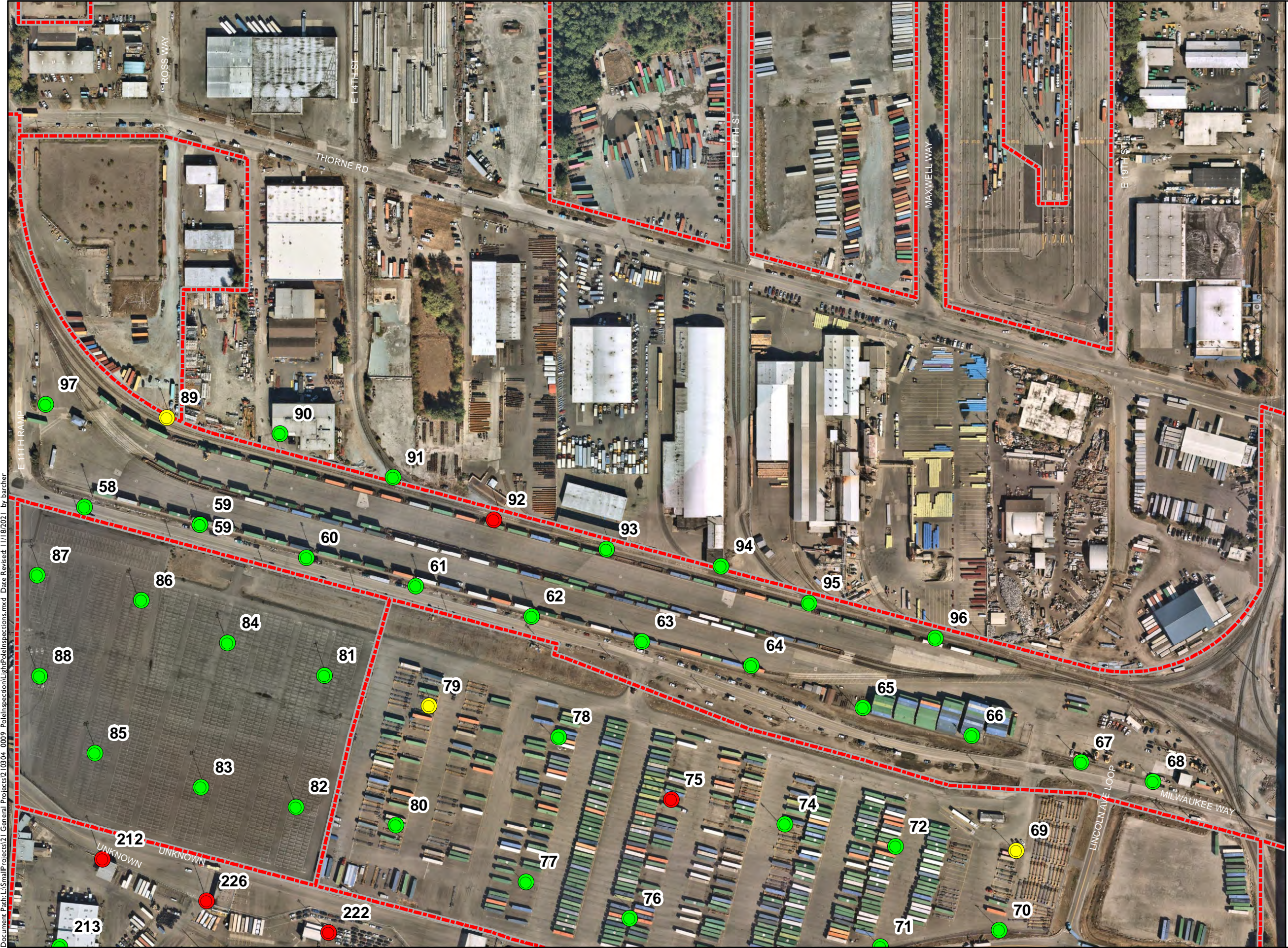
Data Source: Imagery from Nearmap (dated Aug. 2020)



THE NORTHWEST SEAPORT ALLIANCE

DISCLAIMER: The information included on this map has been compiled by Port of Tacoma staff from a variety of sources and is subject to change without notice. These data are intended for informational purposes and should not be considered authoritative for engineering, navigational, legal and other site-specific uses. The Port of Tacoma makes no representations or warranties, express or implied, as to accuracy, completeness, timeliness, or rights to the use of such information.

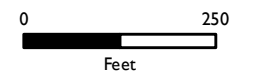
Document Path: L:\SmallProjects\21 General Projects\210304 0009 PoleInspection\LightPoleInspections.mxd Date Revised: 11/19/2021 by barcher



Light Poles Maintained by
Port of Tacoma
Name: South Intermodal Yard
Port Parcel: 69A
Page No.: 7

Legend

- No Priority
- Reject Priority 1
- Reject Priority 2
- Reject Priority 3
- GLSubArea

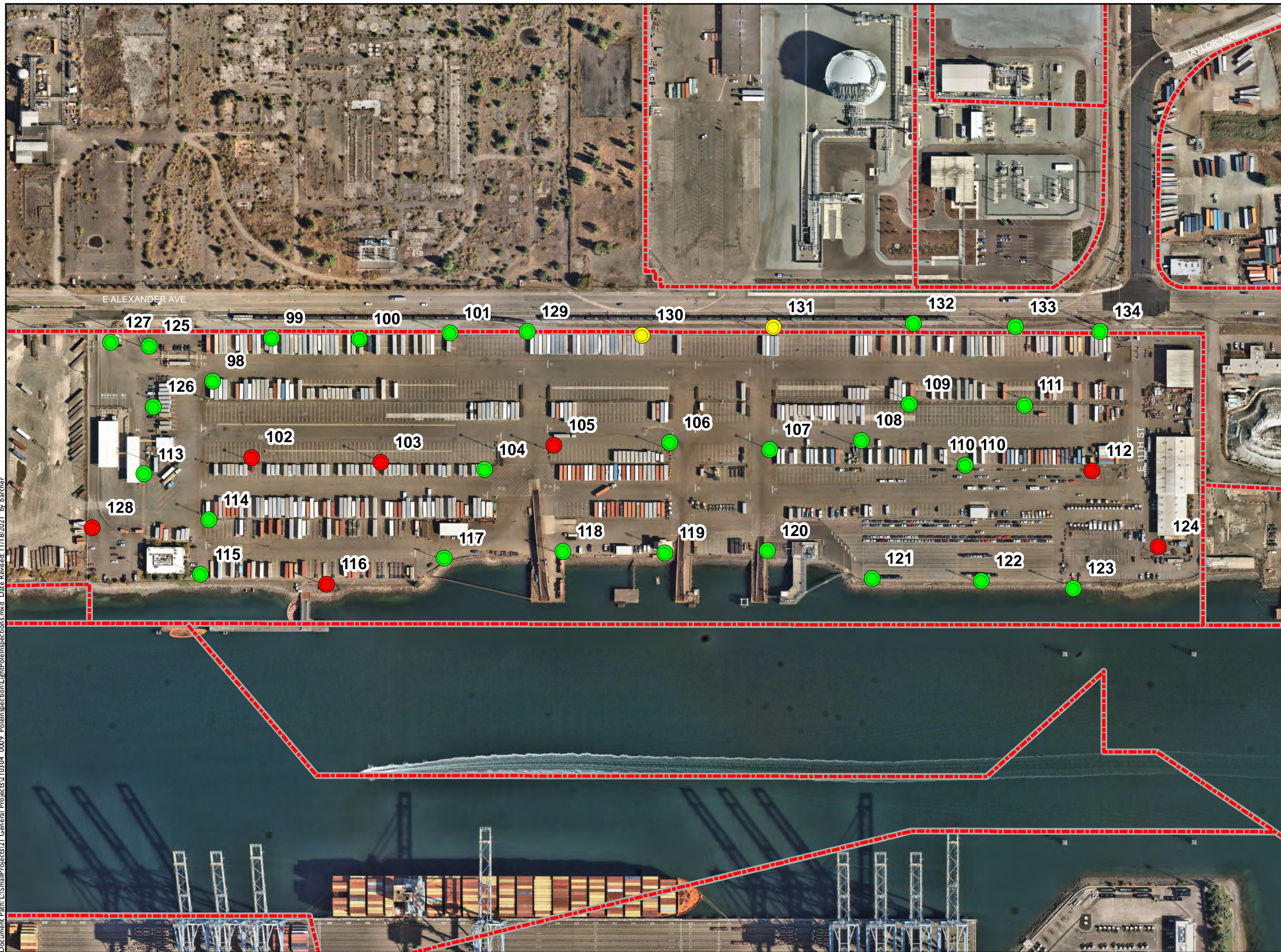


Data Source: Imagery from Nearmap (dated Aug. 2020)



DISCLAIMER: The information included on this map has been compiled by Port of Tacoma staff from a variety of sources and is subject to change without notice. These data are intended for informational purposes and should not be considered authoritative for engineering, navigational, legal and other site-specific uses. The Port of Tacoma makes no representations or warranties, express or implied, as to accuracy, completeness, timeliness, or rights to the use of such information.

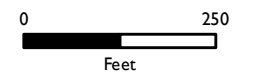
Document Path: L:\Small\Projects\21 General\Projects\210304_0009_Polinspection\LightPoleInspection.mxd Date Revised: 11/18/2021 by barcher



Light Poles Maintained by
Port of Tacoma
Name: TOTE (500 Alexander Av)
Port Parcel: 1A
Page No.: 8

Legend

- No Priority
- Reject Priority 1
- Reject Priority 2
- Reject Priority 3
- GLSubArea

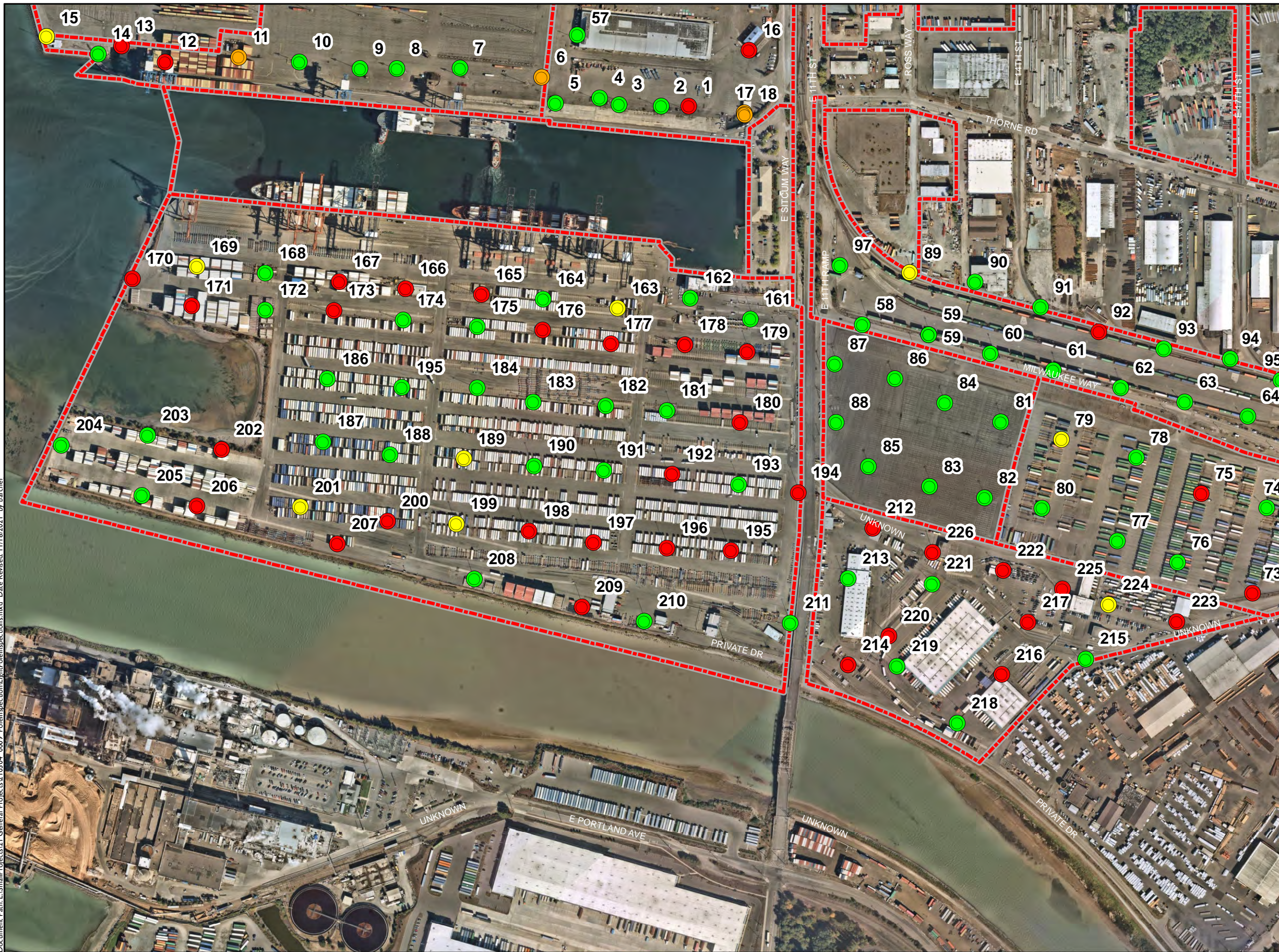


Data Source: Imagery from Nearmap (dated Aug. 2020)



DISCLAIMER: The information included on this map has been compiled by Port of Tacoma staff from a variety of sources and is subject to change without notice. These data are intended for informational purposes and should not be considered authoritative for engineering, navigational, legal and other site-specific uses. The Port of Tacoma makes no representations or warranties, express or implied, as to accuracy, completeness, timeliness, or rights to the use of such information.

Document Path: L:\Small\Projects\21 General Projects\210304 0009 PoleInspection\LightPoleInspection.mxd Date Revised: 11/19/2021 by barcher

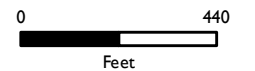


Light Poles Maintained by Port of Tacoma

Name: West Sitcum Terminal
Port Parcel: 41
Page No.: 9

Legend

- No Priority
- Reject Priority 1
- Reject Priority 2
- Reject Priority 3
- GLSubArea

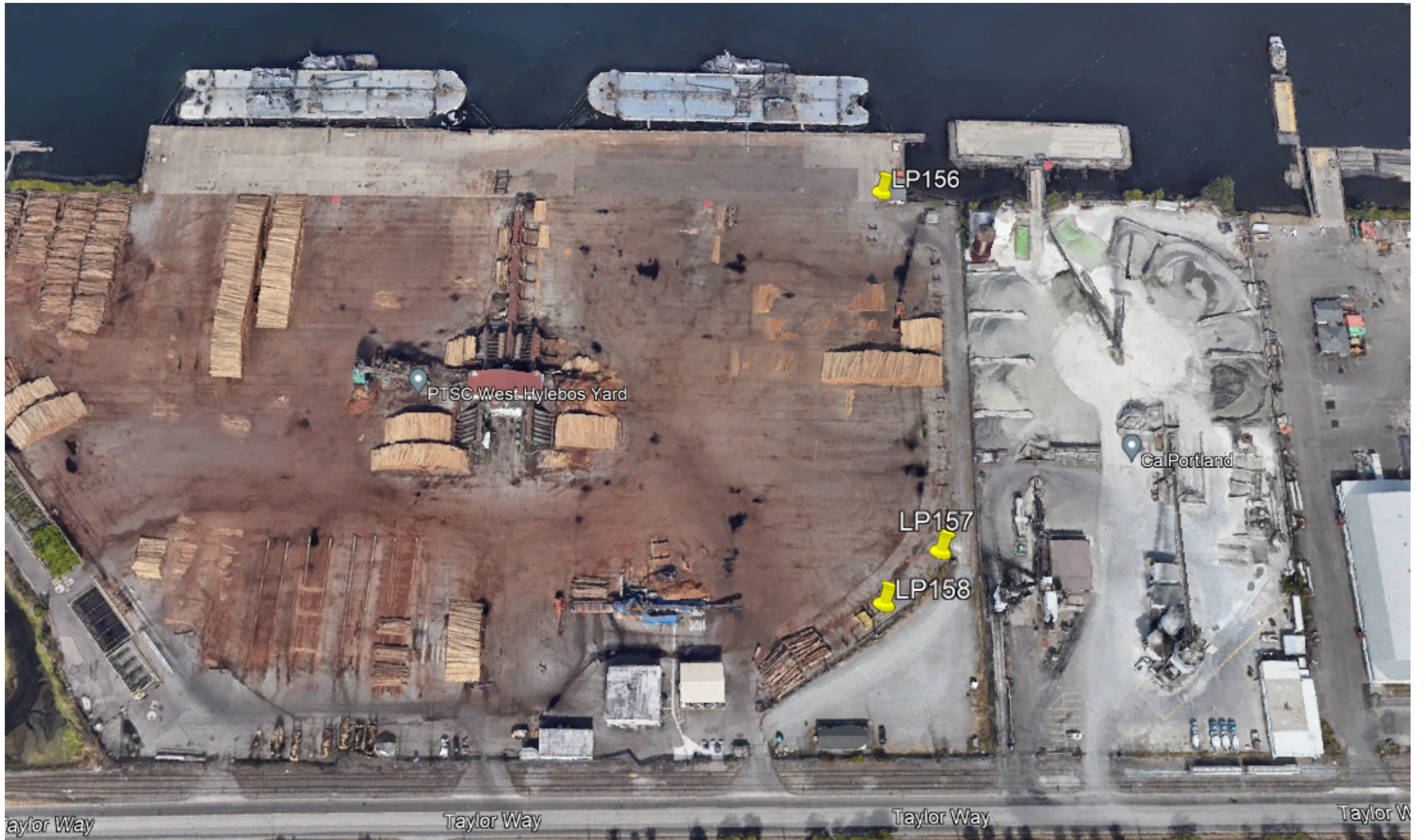


Data Source: Imagery from Nearmap (dated Aug. 2020)



THE NORTHWEST SEAPORT ALLIANCE

DISCLAIMER: The information included on this map has been compiled by Port of Tacoma staff from a variety of sources and is subject to change without notice. These data are intended for informational purposes and should not be considered authoritative for engineering, navigational, legal and other site-specific uses. The Port of Tacoma makes no representations or warranties, express or implied, as to accuracy, completeness, timeliness, or rights to the use of such information.



LIGHT POLE #195



LIGHT POLE #195



LIGHT POLE #75

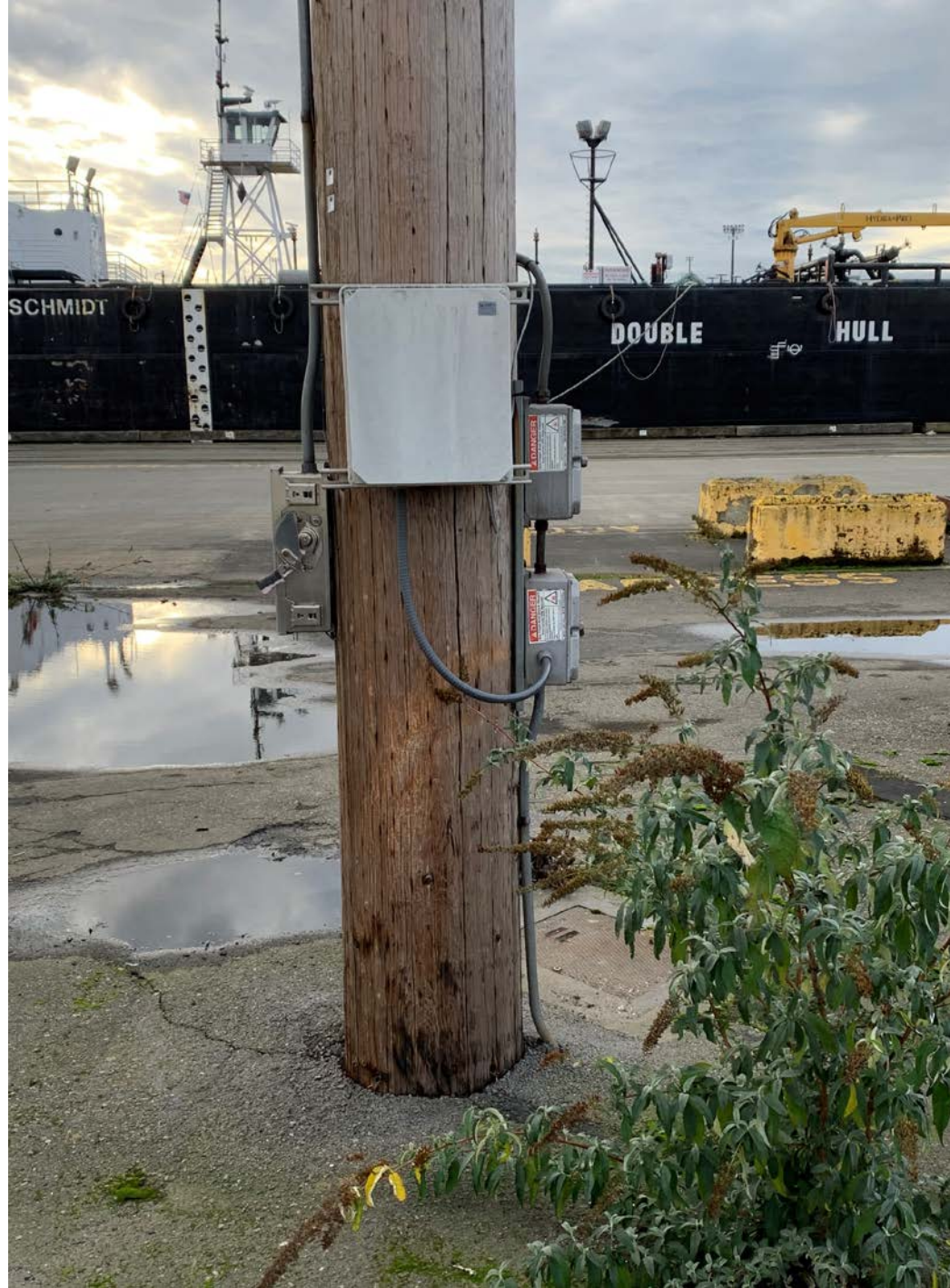


LIGHT POLE #75



LIGHT POLE #1





LIGHT POLE #1

LIGHT POLE #112



LIGHT POLE #112



LIGHT POLE #15



LIGHT POLE #15



LIGHT POLE #15



LIGHT POLE #192

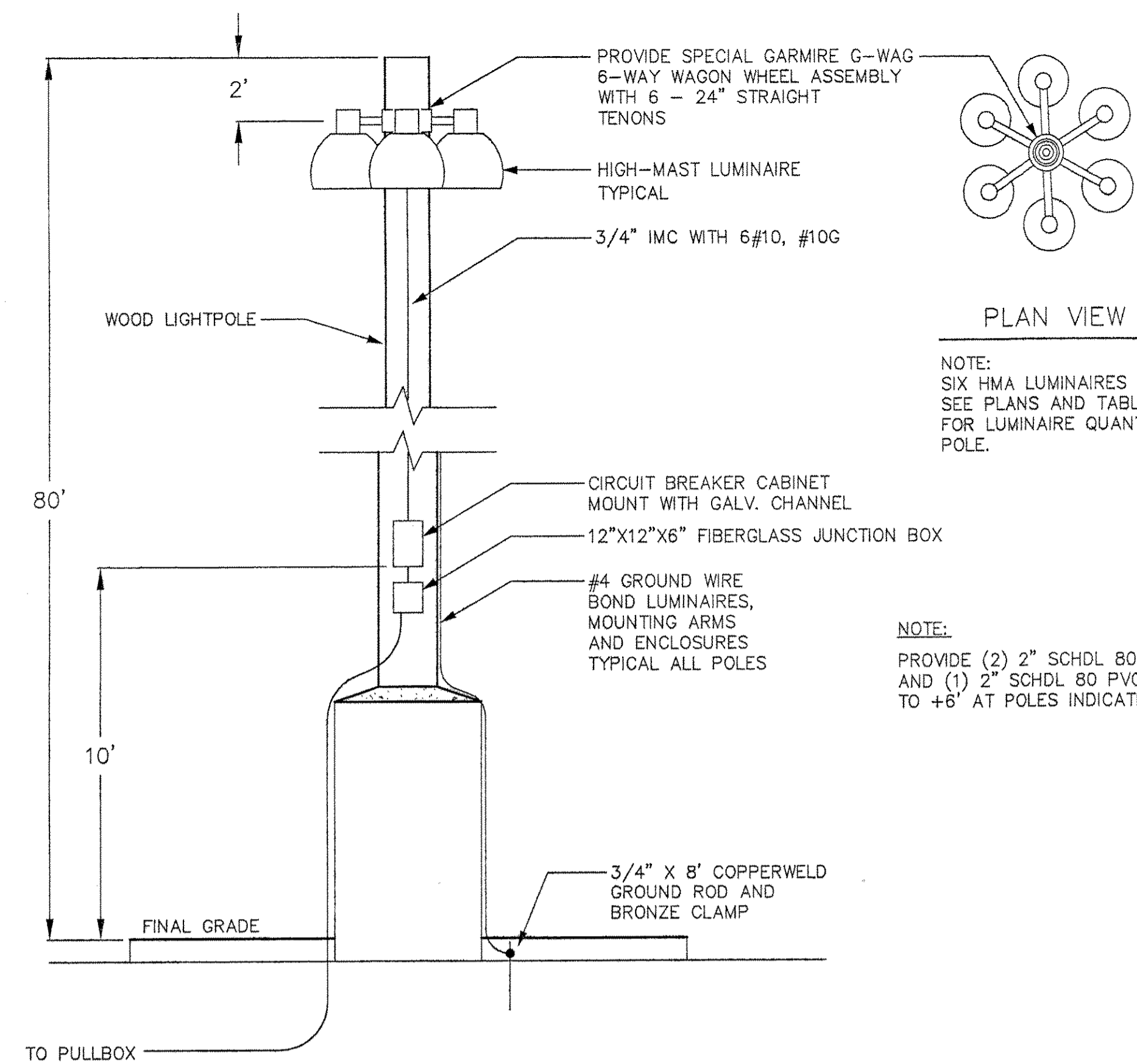


LIGHT POLE #192

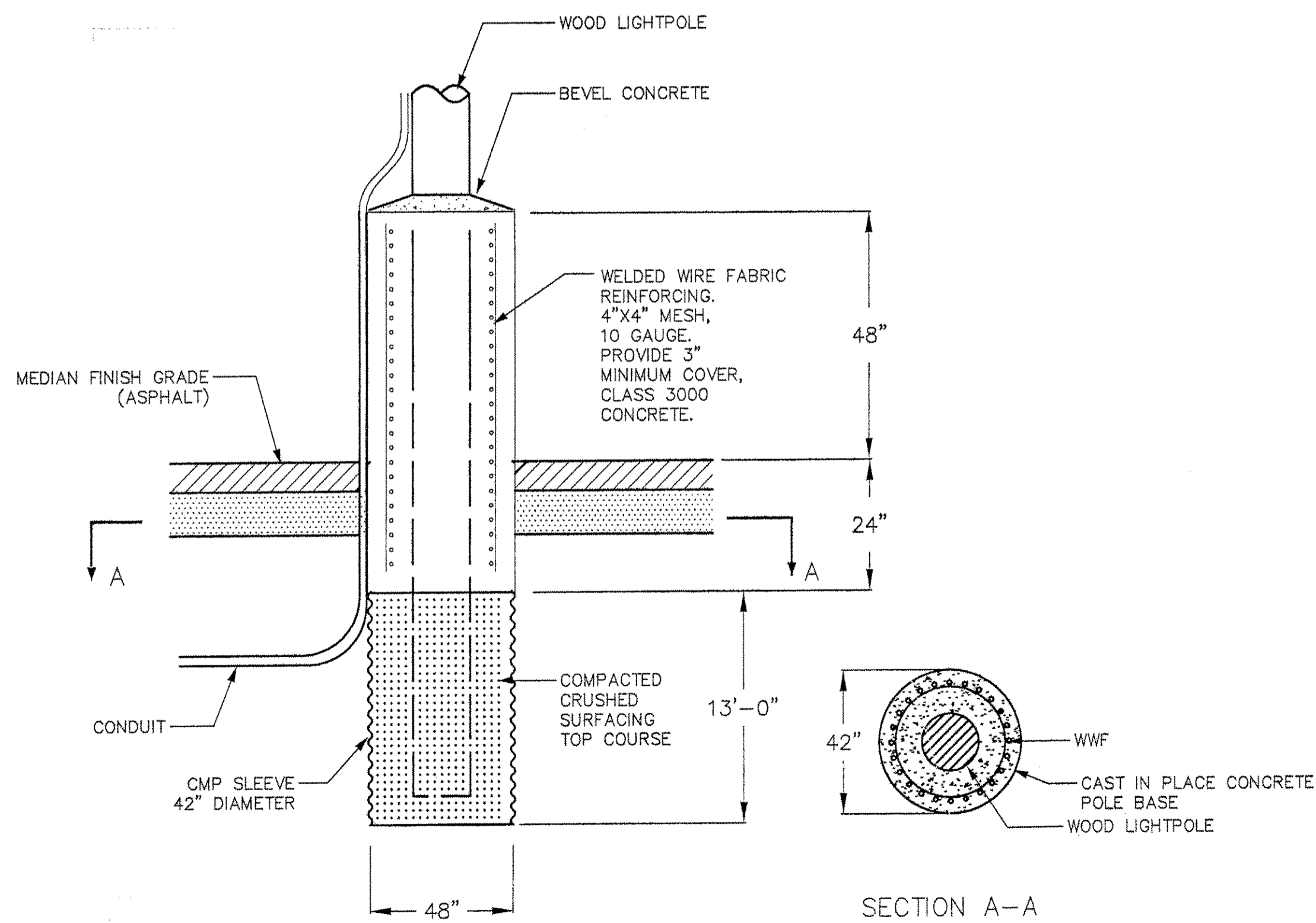


LIGHT POLE #192

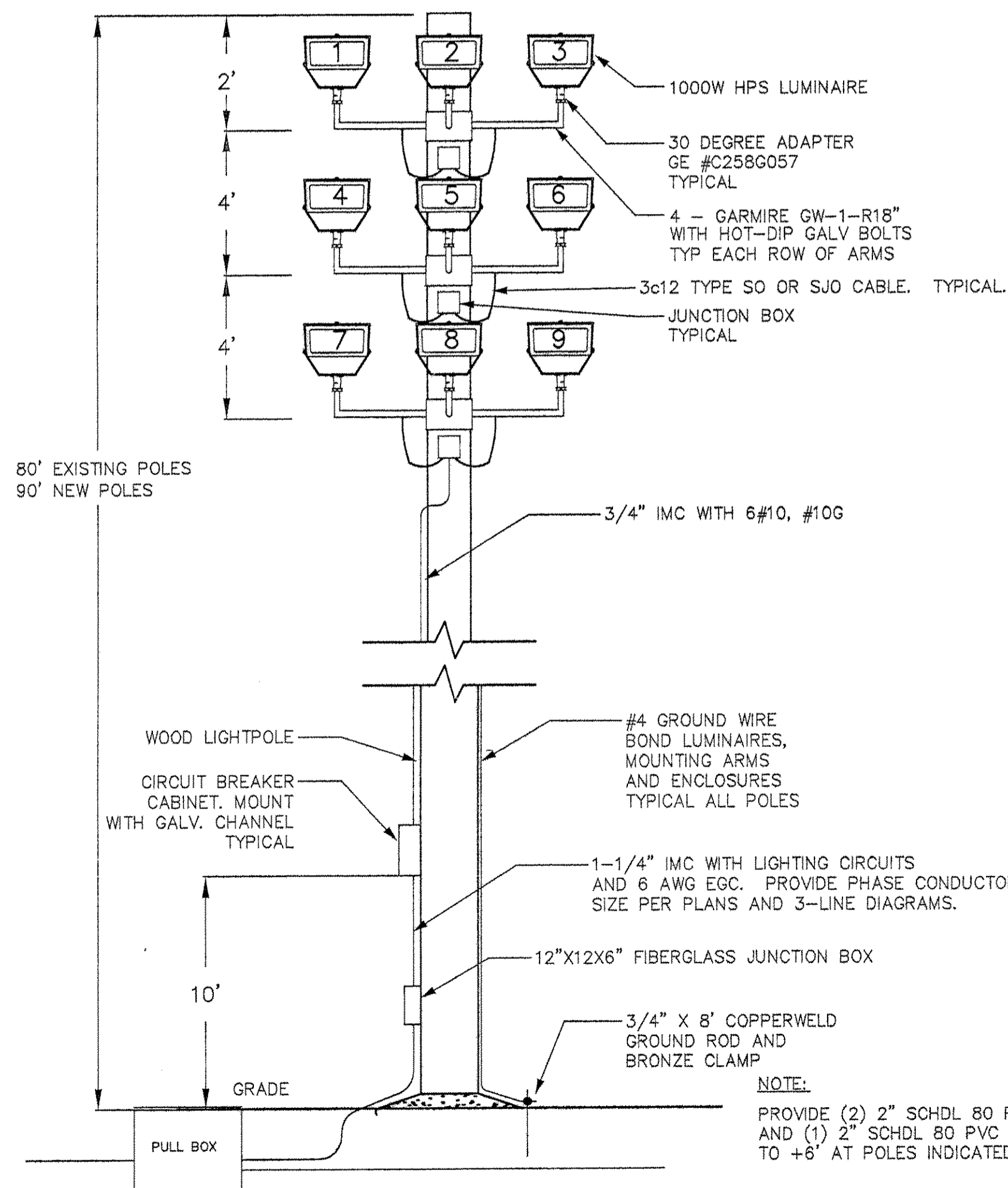




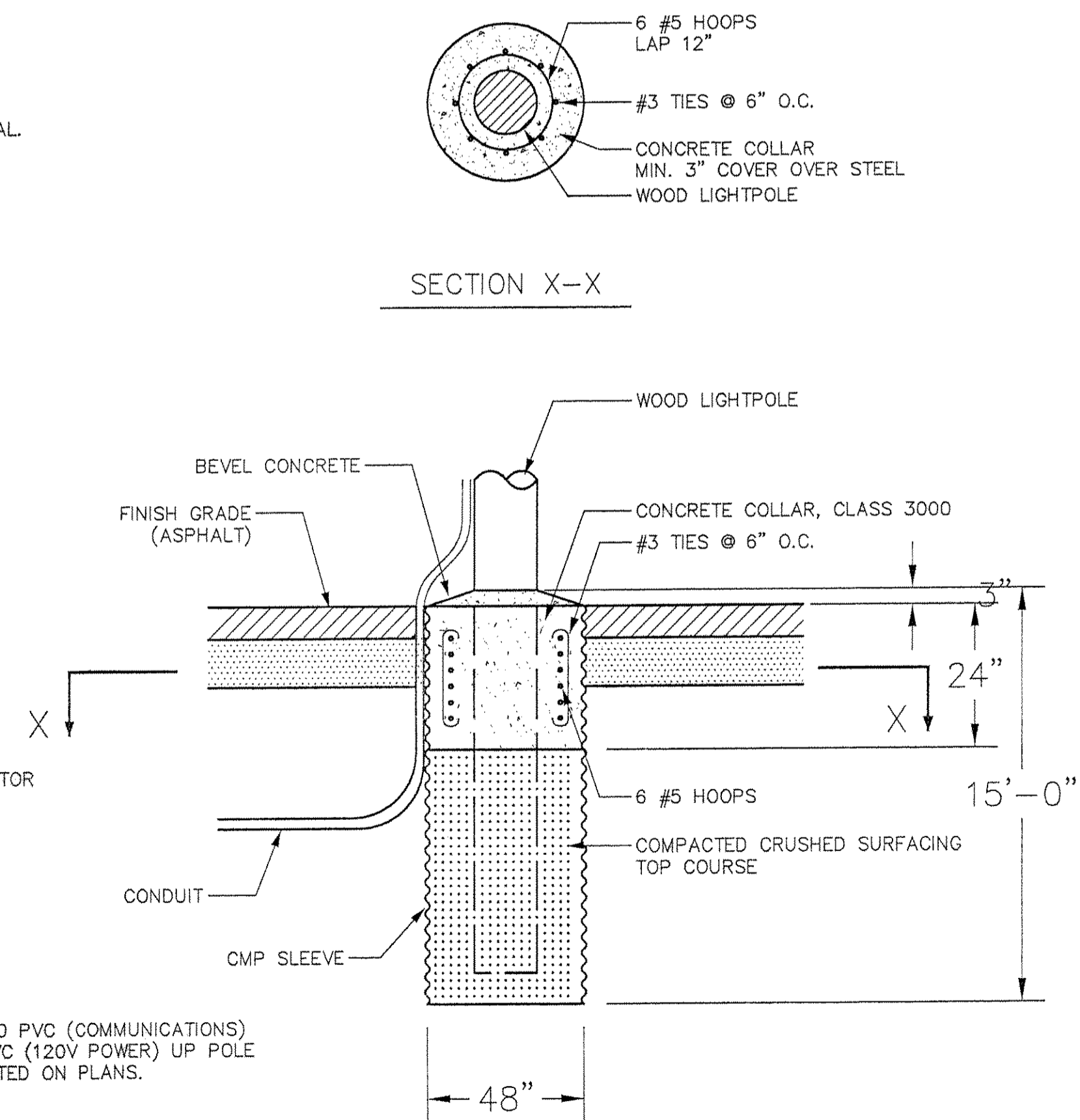
1 FLOODLIGHT POLE
E17 NO SCALE



2 CENTER YARD FLOODLIGHT POLE BASE
E17 NO SCALE



3 PERIMETER YARD FLOODLIGHT POLE ELEVATION
E17 NO SCALE



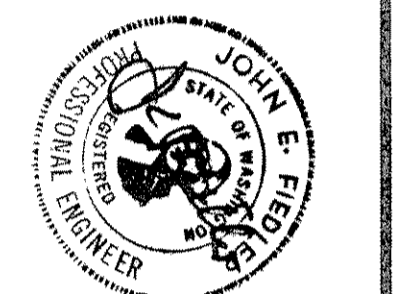
4 PERIMETER YARD FLOODLIGHT POLE BASE
E17 NO SCALE

FILE NUMBER: P:\CAD\PROJ\PTAX0056\DWG\SHEETS-ELECTRICAL\E17.DWG

PORT OF TACOMA P.O. BOX 1837
TACOMA, WA 98401 253-383-5841

DAVID EVANS AND ASSOCIATES INC.
3700 Pacific Hwy, East Suite 311
Tacoma, Washington 98424
Phone: 253 822 9790

BY: [Signature] APPROVED: [Signature] DATE:



APPROVED: [Signature] DATE: 4/24/02

CHIEF ENGINEER - DATE

CHECKED BY: [Signature] DATE: 4-24-02

PROJECT ENGR. - DATE

DRAWING DATE: APRIL 22, 2002

PORT ADDRESS: 500 ALEXANDER AVENUE

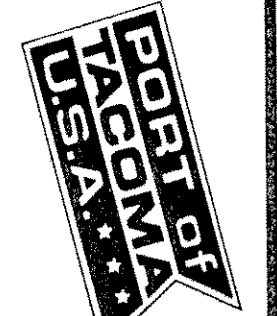
PORT PARCEL: 1A

TOTE MAIN TERMINAL EXPANSION
YARD LIGHTING DETAILS

TOWNSHIP: 21N RANGE: 3E SECTION: 27
DATUM: HORIZ: NAD 83 - 91 VERT: IODE 22 = 119.51 MLLW
DRAWING SCALE: AS SHOWN

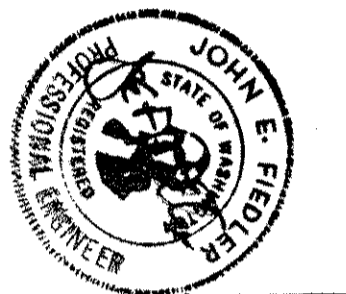
CONTRACT NUMBER: 998122
E NUMBER: 1339
PHASE: BID DOCUMENTS

SHEET 71 OF 228
EP-5325-12
E17



PORT OF TACOMA, P.O. BOX 1837
TACOMA, WA 98401 253-383-5841
AND ASSOCIATES, Inc.
3700 Pacific Hwy, East. Suite 311
Tacoma, WA 98404
Phone: 253.822.9700

MARK: REVISION: BY: APPROVED: DATE:



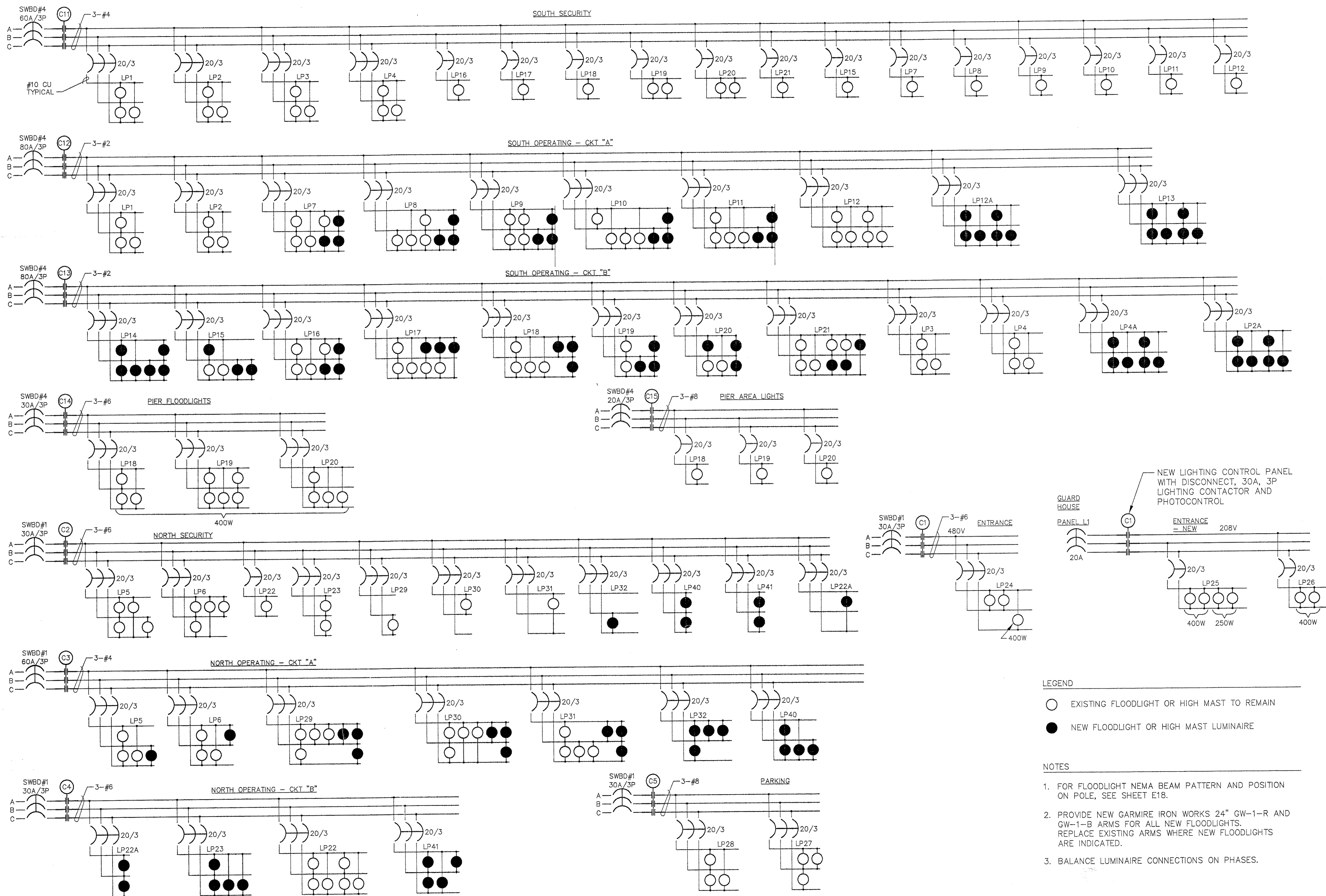
APPROVED: *[Signature]* DATE: 4/21/02
PROJECT ENG. - DATE: 4/24/02
CHECKED BY: - DATE: 4/24/02

TOWNSHIP: 21N RANGE: 3E SECTION: 27
DATE: HORIZ: 83-91 VERT: IDE: 22-19 51 MILL W
DRAWING SCALE: AS SHOWN

CONTRACT NUMBER: 998122
E NUMBER: 1339
PHASE: BID DOCUMENTS

TOTE MAIN TERMINAL EXPANSION
LIGHTING 3-LINE DIAGRAMS

EP-5325-12
SHEET 73 OF 228
E19



P:\cadd\proj\PTAX0056\dwg\Sheets\Electrical\E19.dwg, 04/24/02 08:57:57 AM, D:\wire

PORT OF TACOMA

SOUTH INTERMODAL YARD

ADDITIONAL LIGHTING

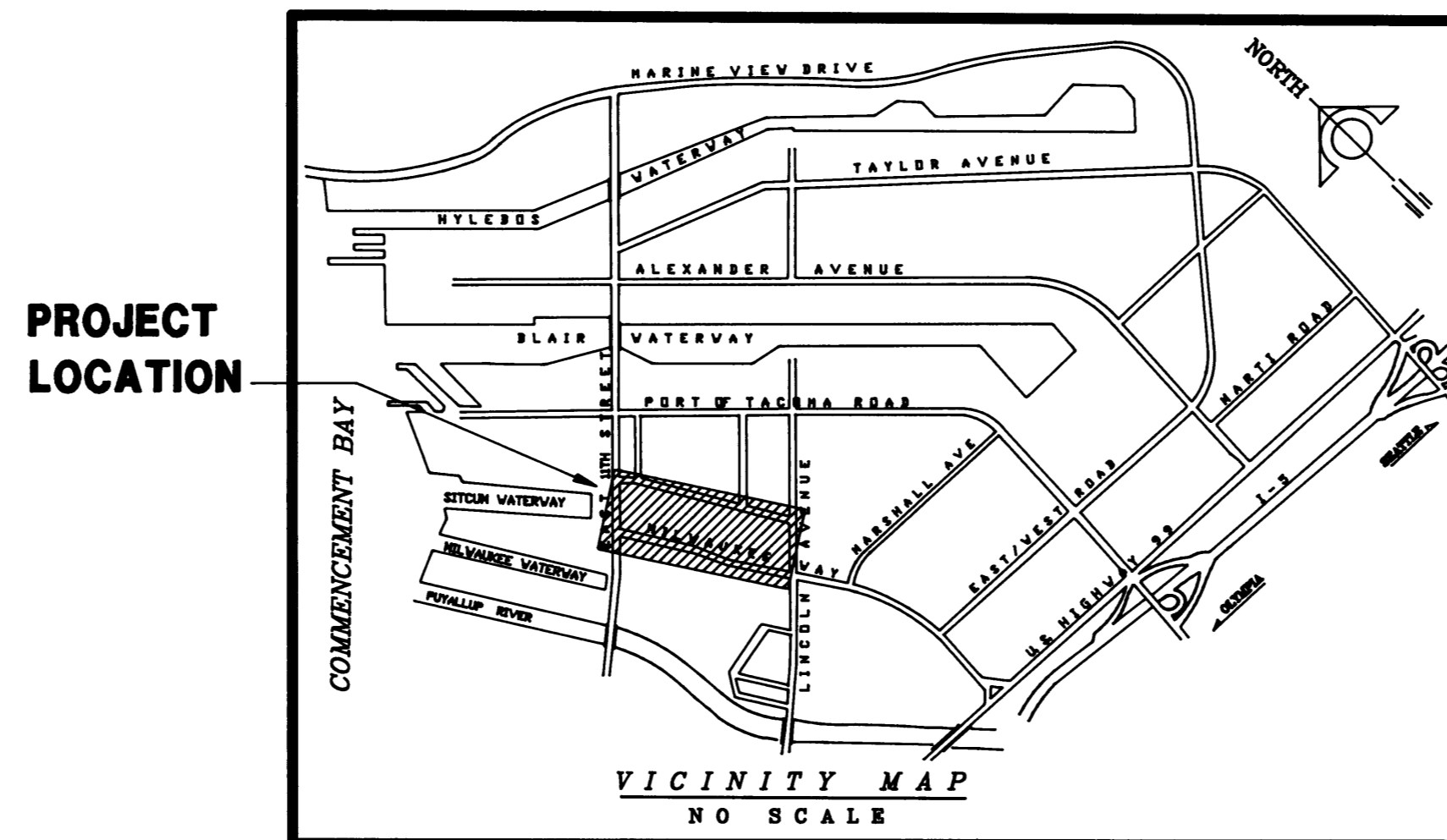
CONTRACT No. 695

PORT COMMISSION:

ROBERT G. EARLEY
 JACK A. FABULICH
 JOHN A. McCARTHY
 PATRICK O'MALLEY
 NED SHERA

PORT STAFF:

JOHN J. TERPSTRA P.E.
 (EXECUTIVE DIRECTOR)
 CURTIS L. RATCLIFFE P.E.
 (CHIEF ENGINEER)



DRAWING LIST		SHEET No.	ACAD FILE
1	COVER SHEET	1	POT-E0
C1	SITE SURVEY - LIGHT POLE LOCATIONS	2	
E1	SITE PLAN & DETAILS	3	POT-E1
E2	ELECTRICAL DETAILS	4	POT-E2
E3	ONE LINE DIAGRAM & LEGEND	5	POT-E3

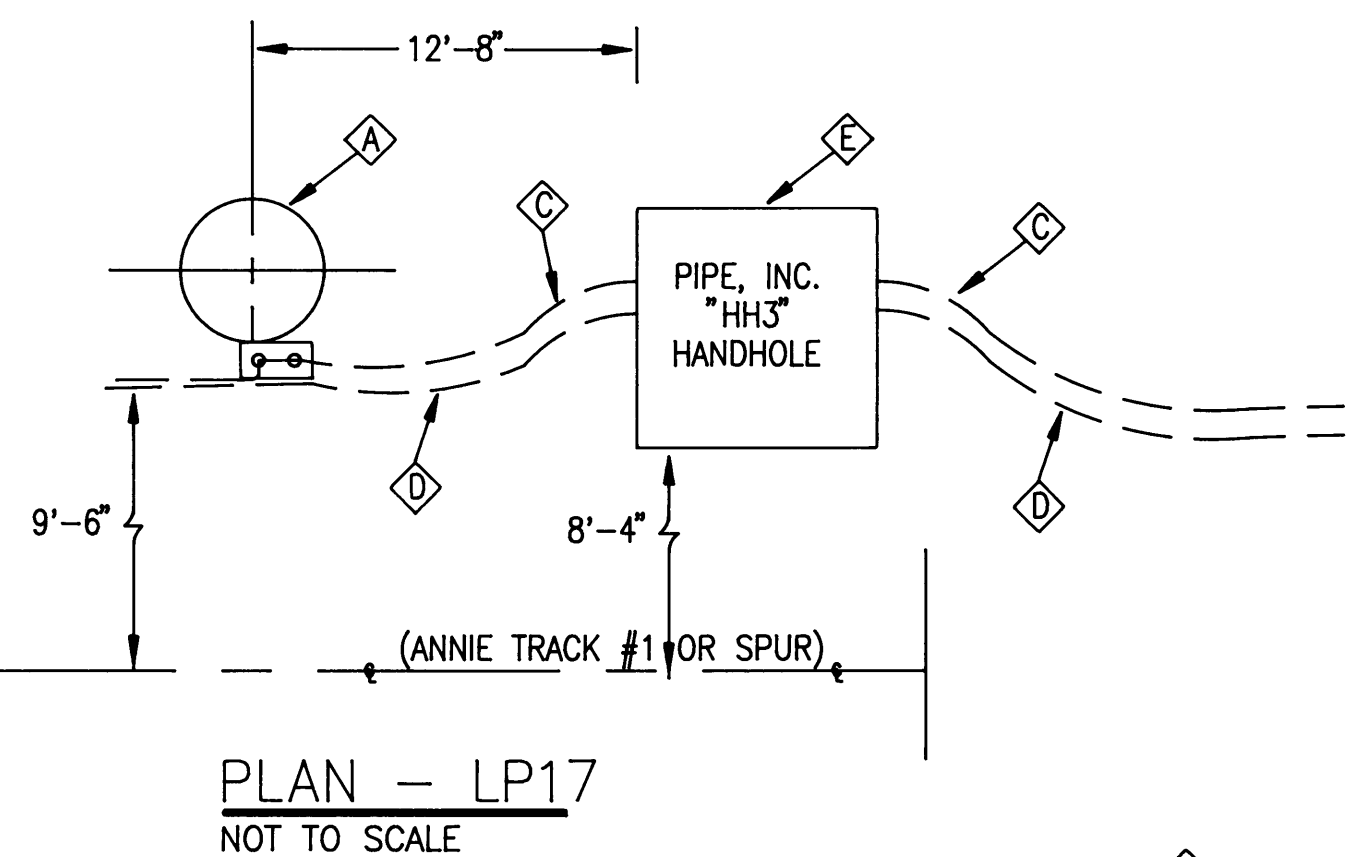
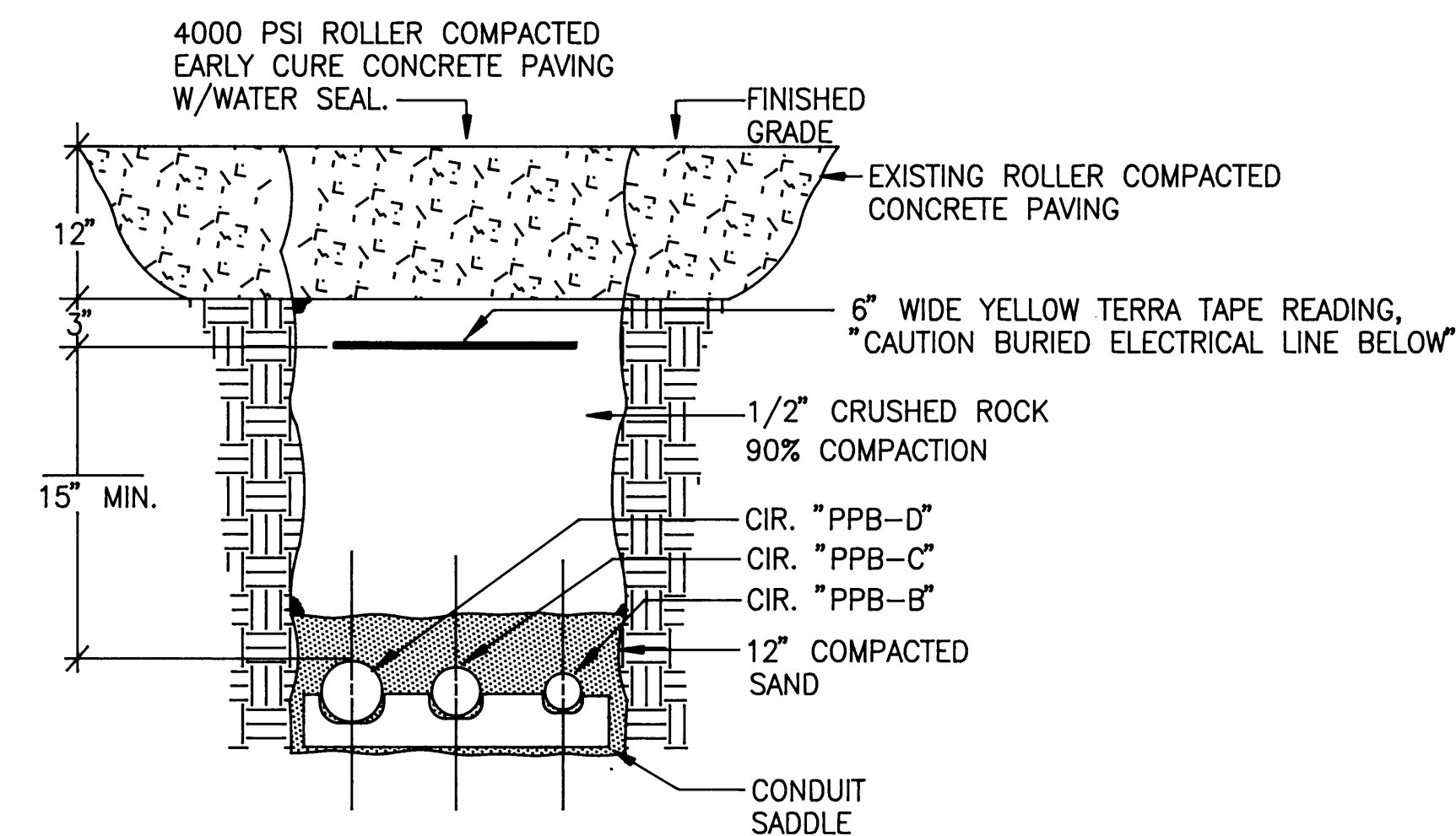
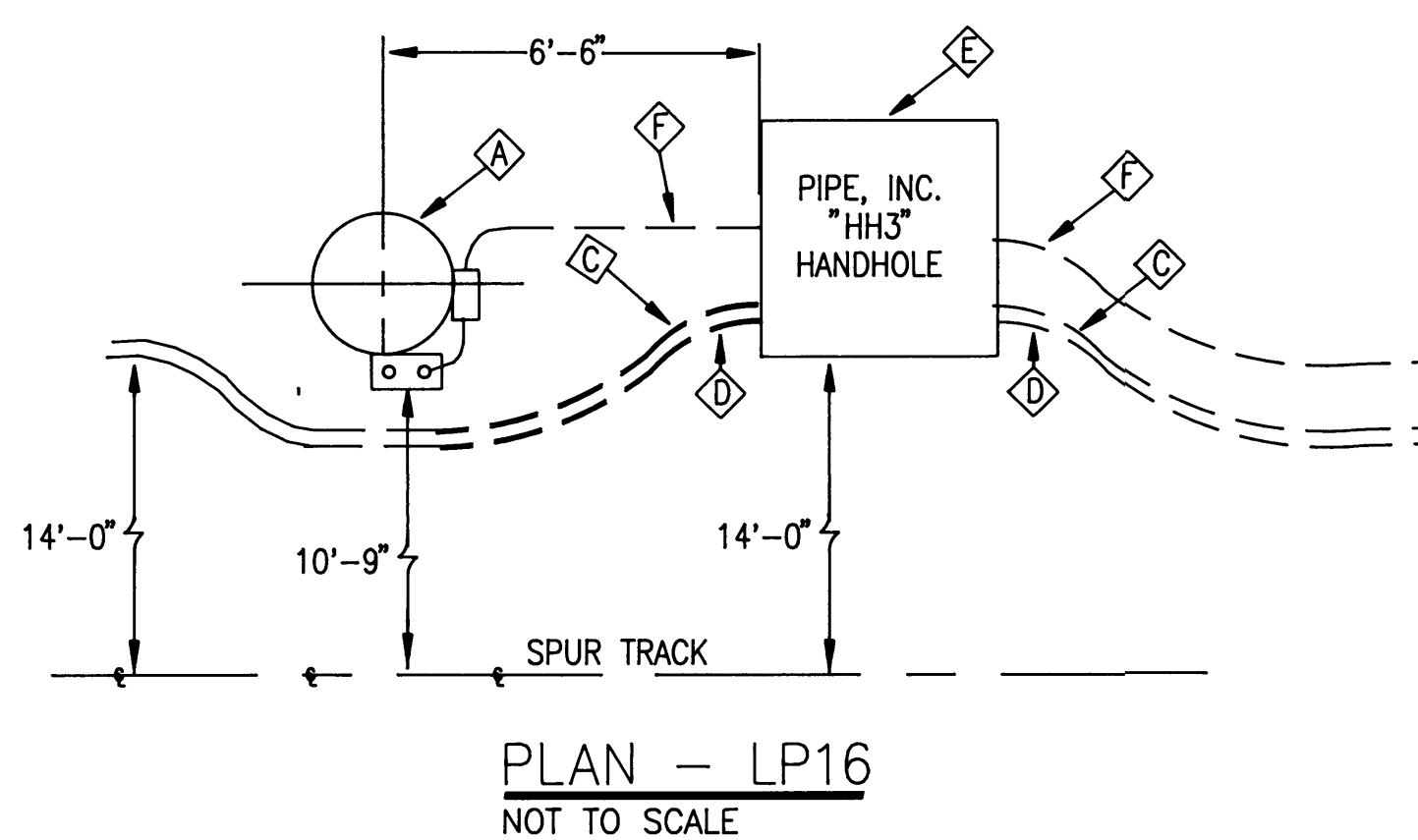
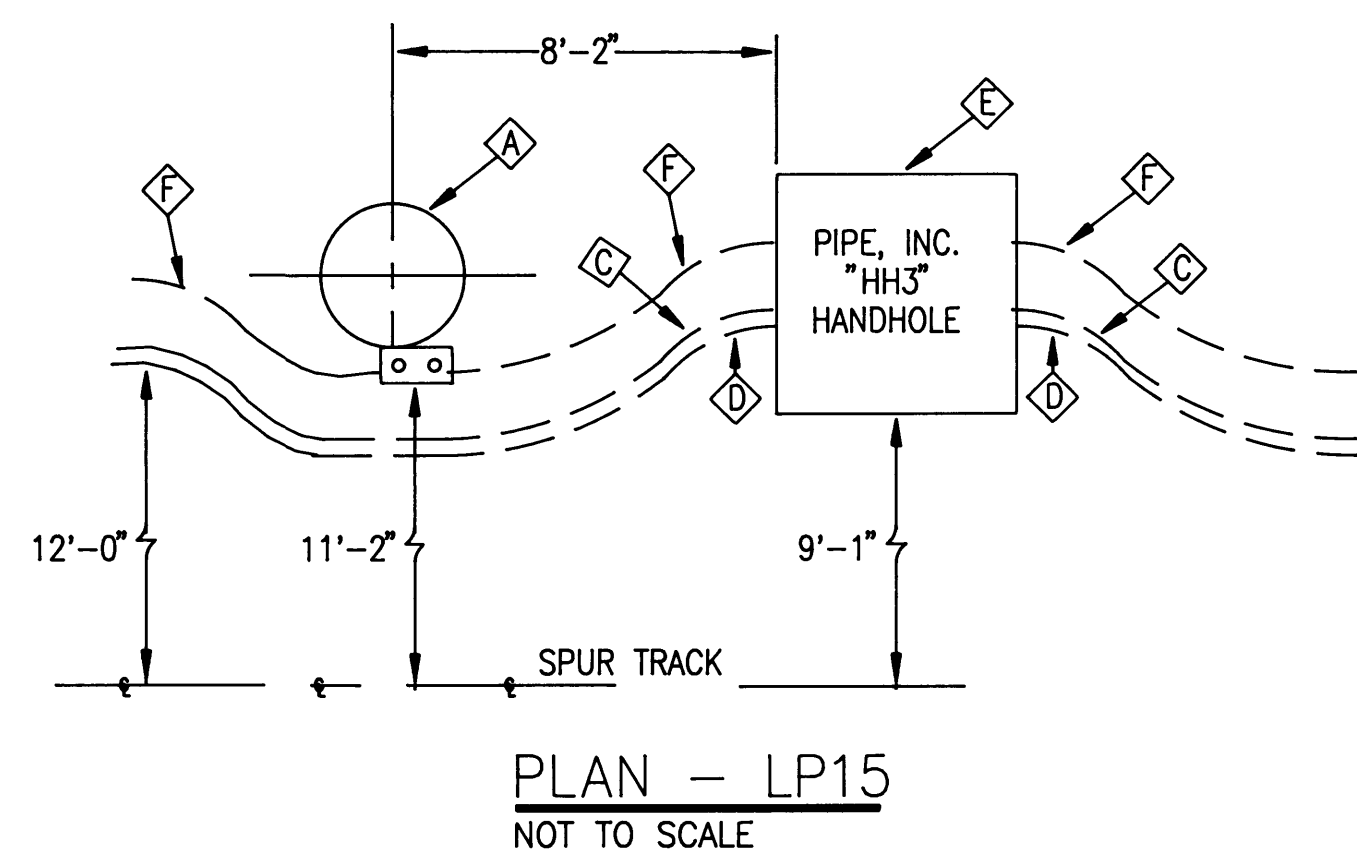
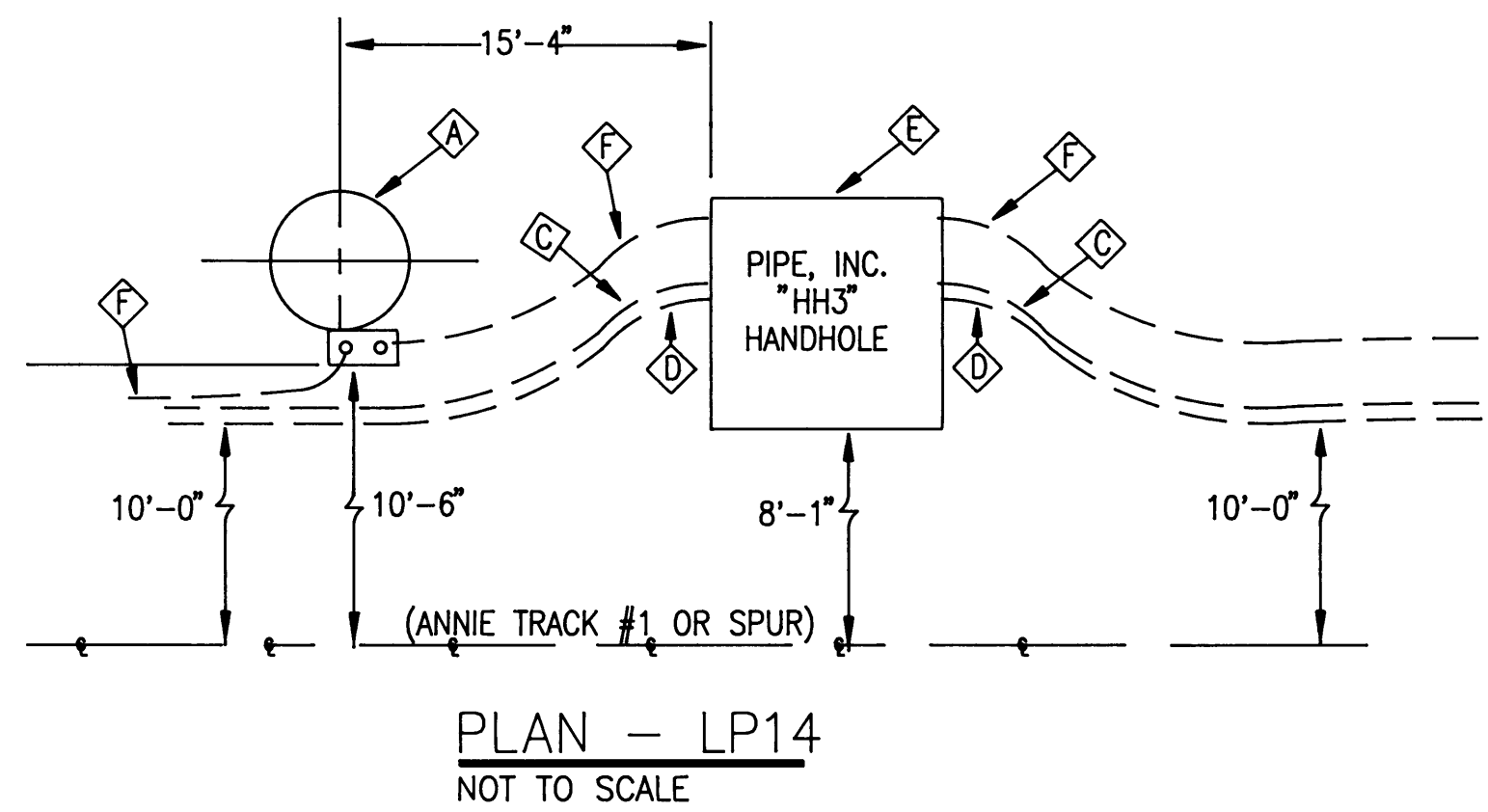
CONSULTING ENGINEER:

CROSS ENGINEERS, INC.
 260 SOUTH 5TH STREET
 TACOMA, WASHINGTON 98402



AS-BUILT

<p>PORT OF TACOMA P.O. BOX 1837 TACOMA, WASHINGTON 98401 (206) 383-5841</p>	<p>CONSULTANTS</p> <p>CROSS ENGINEERS, INC. MECHANICAL & ELECTRICAL CONSULTANTS 260 South 5th St. Tacoma, Washington (206) 383-2544 (206) 272-0840</p>	<p>APPROVED</p> <p><i>Curtis L. Ratcliffe</i> CHIEF ENGINEER</p>	DRAWN BY: _____ DATE: _____ AS-BUILT BY: _____ DATE: 9-22-92	CHECKED BY: _____ DATE: _____ PROJ. ENDR. DATE: 5/3/93	MARK: _____ REVISION: _____ BY: _____ APP: _____ DATE: _____	<p>SOUTH INTERMODAL YARD ADDITIONAL LIGHTING COVER SHEET</p>	DRAWING No. EP4484-20 CONTRACT No. 695 SHEET No. 1 OF 5
			<p>NOVEMBER 26, 1993</p>				

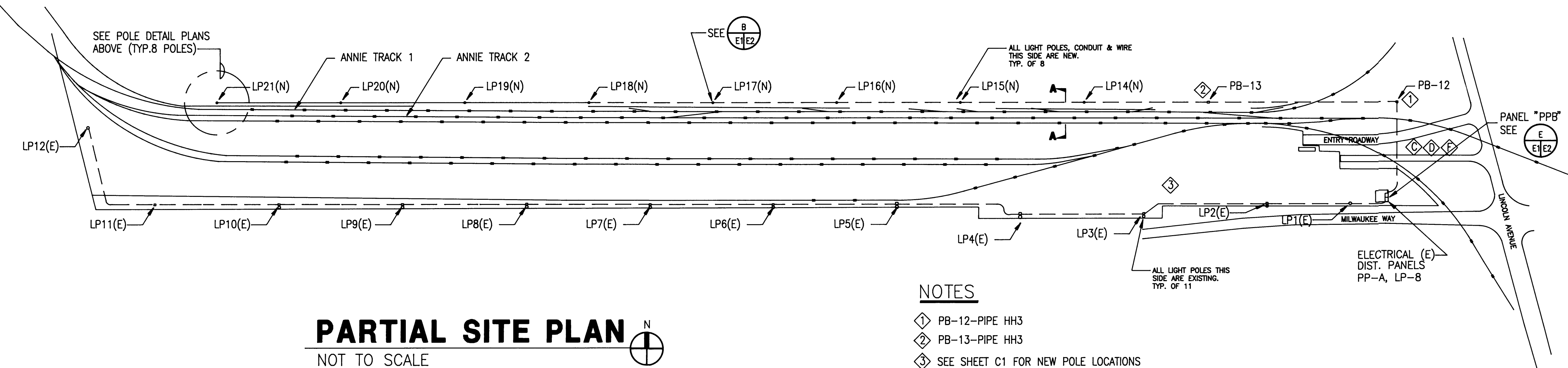
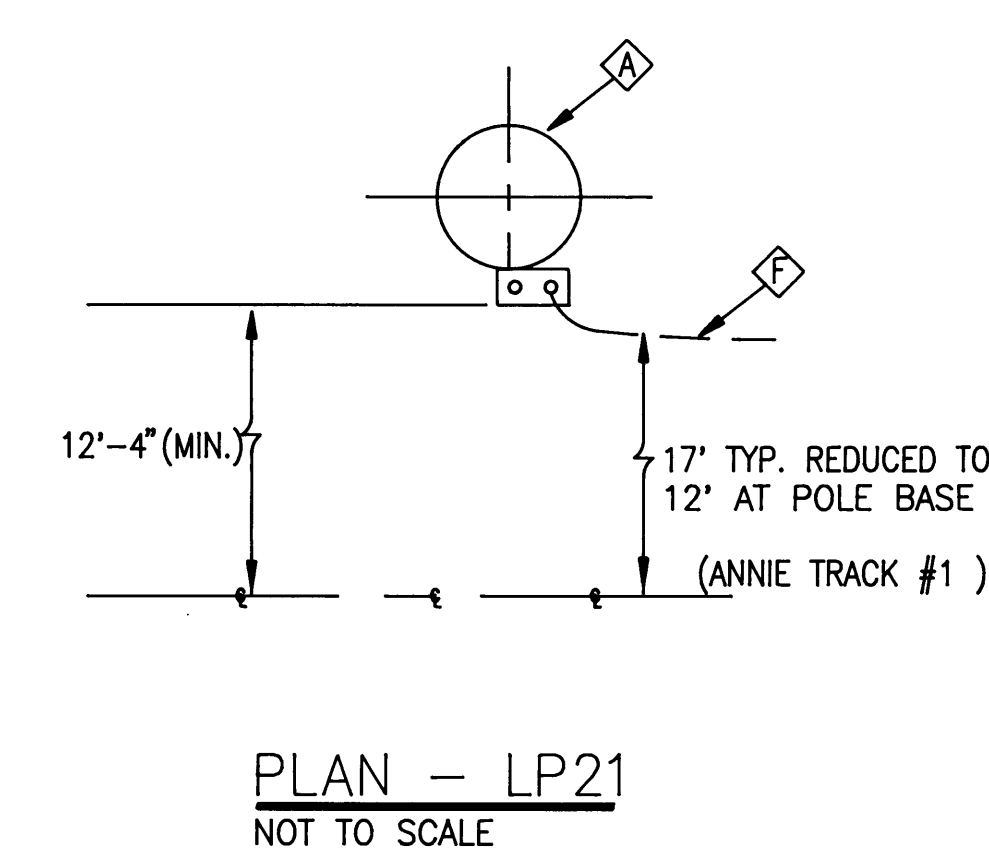
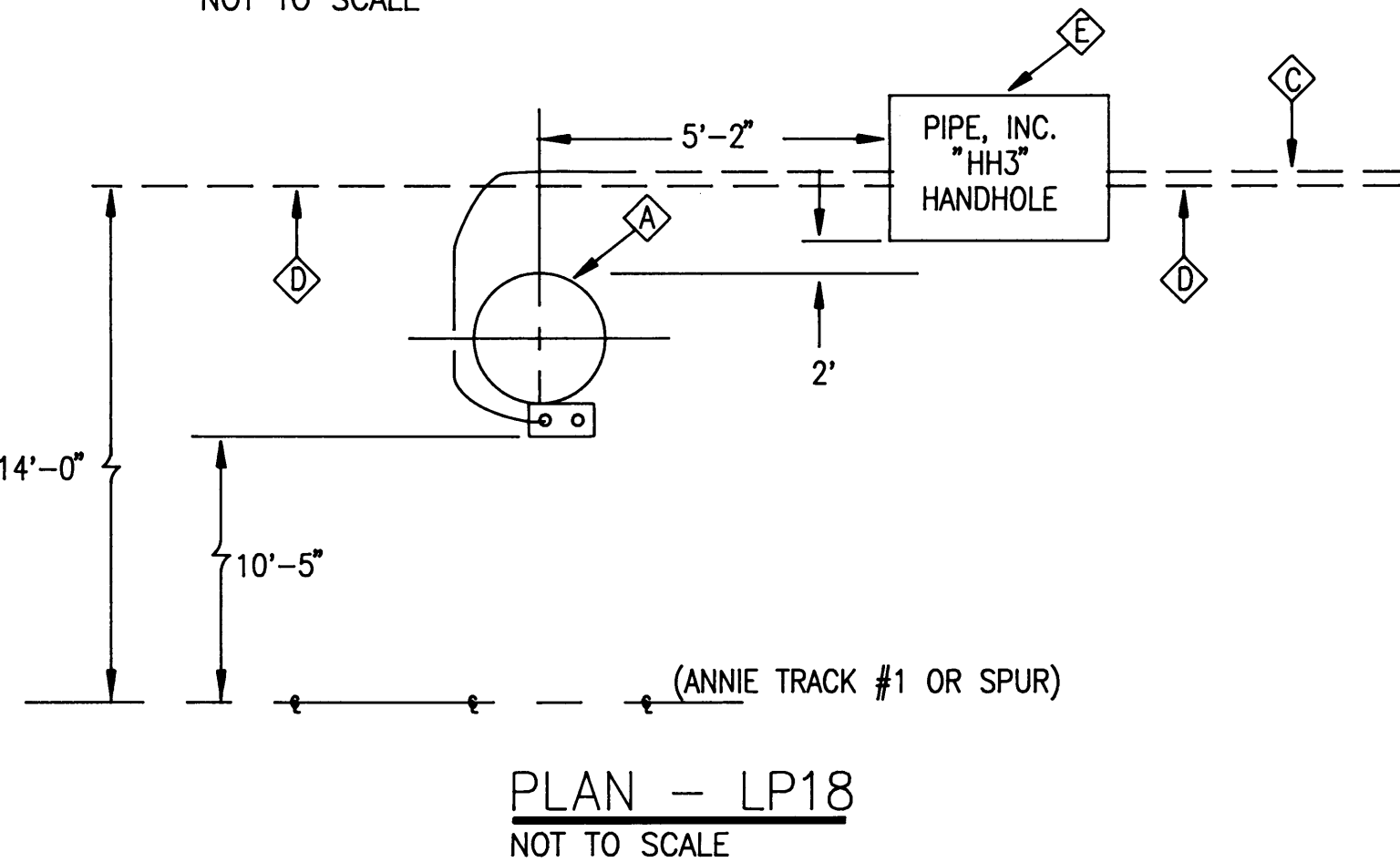
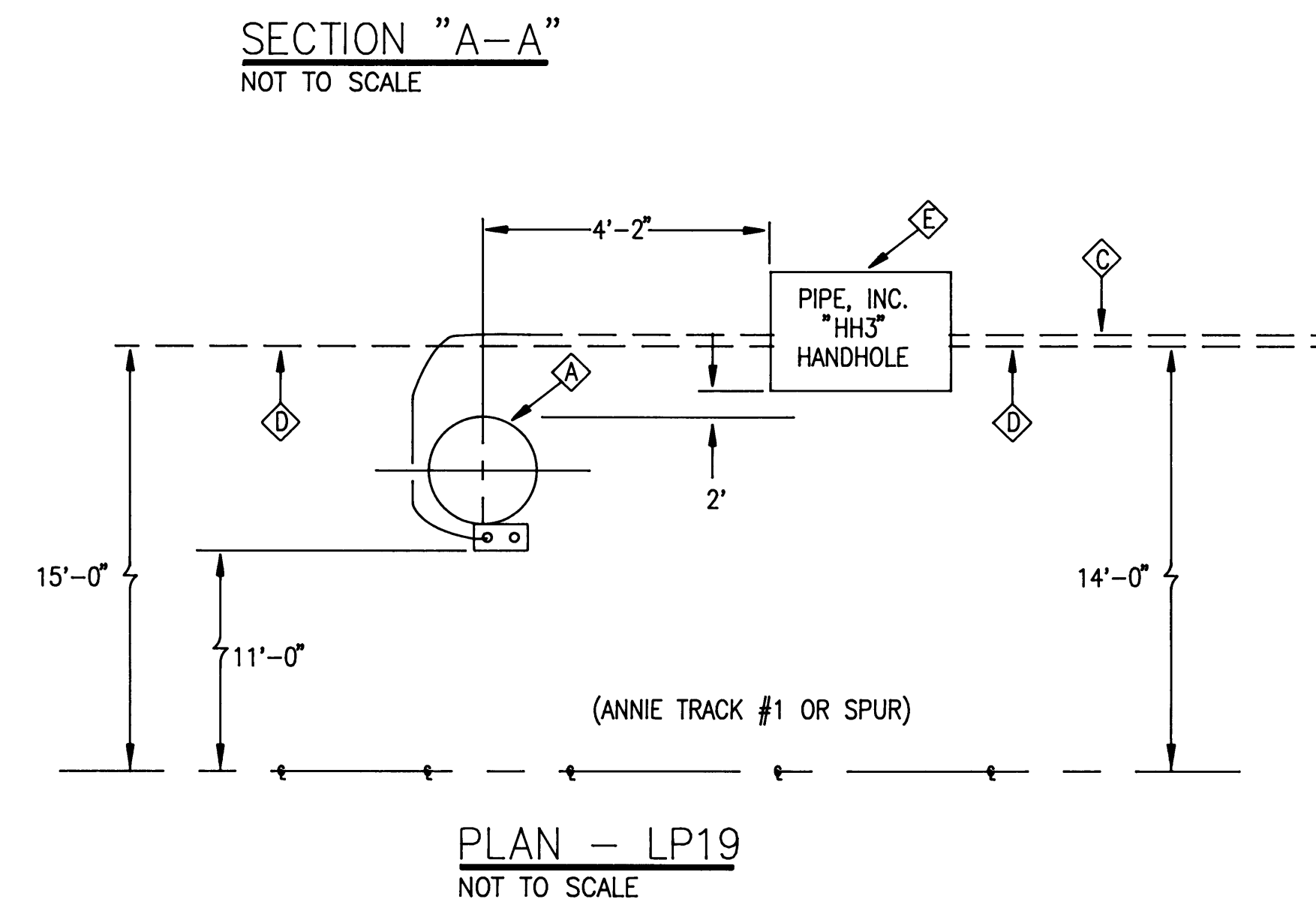
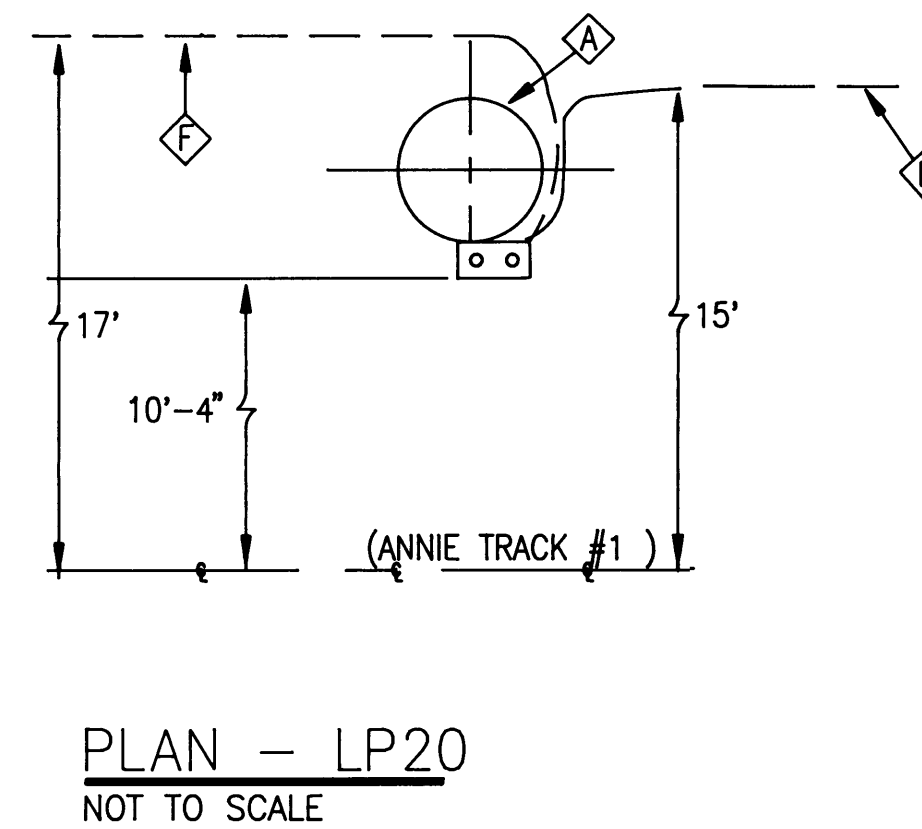


POLE	CIRCUIT NUMBER AND SIZE				PULL BOX NO.
	⊠ *	⊠ *	⊠ *	⊠ *	
LP14	F-3#6-1"C	C-3#2-1 1/4"C	D-3#1/0-1 1/2"C	F-3#6-1"C	14
LP15	F-3#6-1"C	C-3#2-1 1/4"C	D-3#1/0-1 1/2"C	F-3#6-1"C	15
LP16	F-3#6-1"C	C-3#2-1 1/4"C	D-3#1/0-1 1/2"C	NONE	16
LP17	NONE	C-3#2-1 1/4"C	D-3#1/0-1 1/2"C	C-3#2-1 1/4"C	17
LP18	NONE	C-3#2-1 1/4"C	D-3#1/0-1 1/2"C	C-3#2-1 1/4"C	18
LP19	NONE	C-3#2-1 1/4"C	D-3#1/0-1 1/2"C	NONE	19
LP20	NONE	NONE	D-3#1/0-1 1/2"C	D-3#1/0-1 1/2"C	NONE
LP21	NONE	NONE	D-3#1/0-1 1/2"C	NONE	NONE

* ALL CIRCUITS SHALL INCLUDE GROUND WIRE PER TABLE 250-95, NEC.

POLE DETAIL PLANS

NOT TO SCALE



PARTIAL SITE PLAN

NOT TO SCALE

- NOTES**
- ⊠ PB-12-PIPE HH3
 - ⊠ PB-13-PIPE HH3
 - ⊠ SEE SHEET C1 FOR NEW POLE LOCATIONS

PORT OF TACOMA
 P.O. BOX 1837 TACOMA, WASHINGTON 98401
 (206)383-5841

CROSS ENGINEERS, INC.
 MECHANICAL & ELECTRICAL CONSULTANTS
 280 South 7th St. 98402 (206) 383-2544
 Tacoma, Washington (FAX) 272-0546

THEODORE J. CROSS
 PROFESSIONAL ENGINEER

APPROVED
James L. Macneil
 CHIEF ENGINEER
 DATE 9.22.92

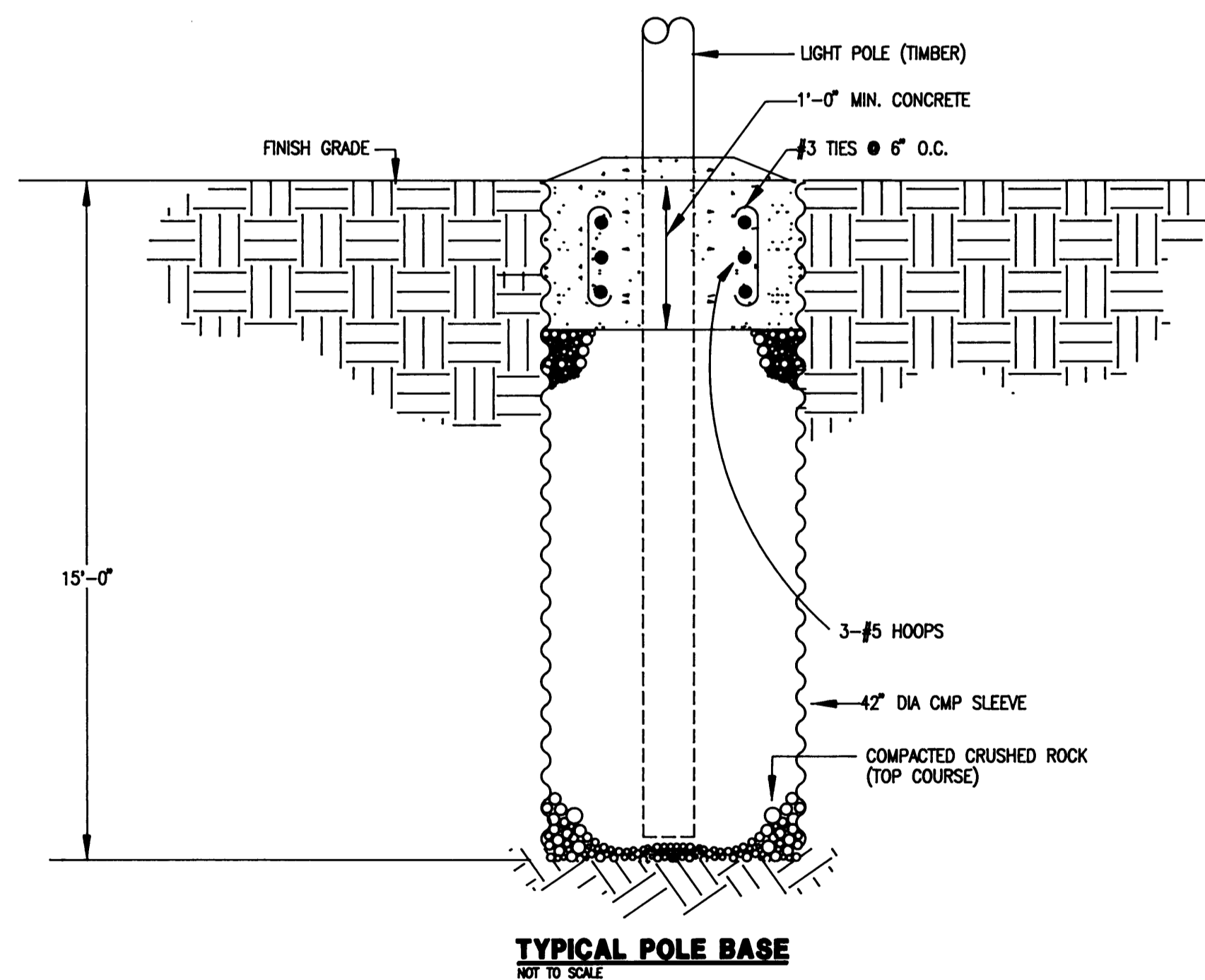
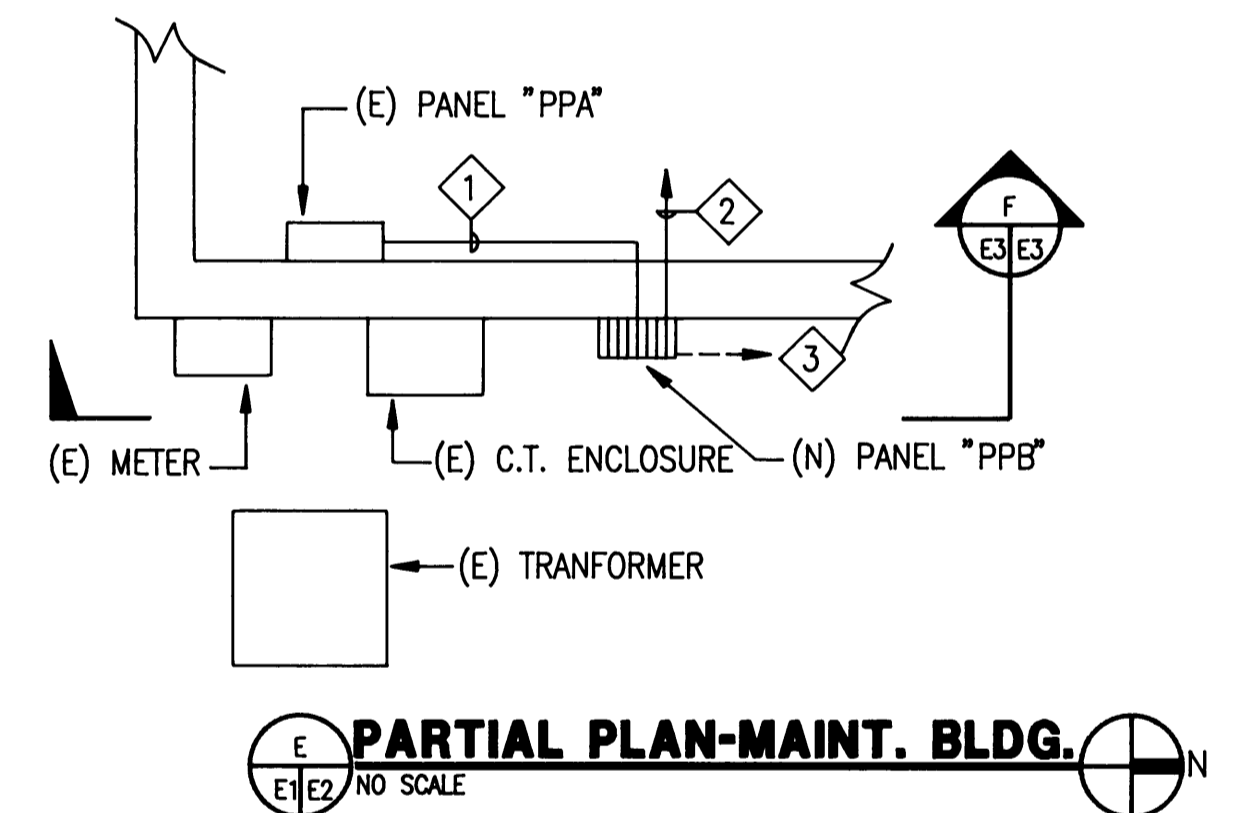
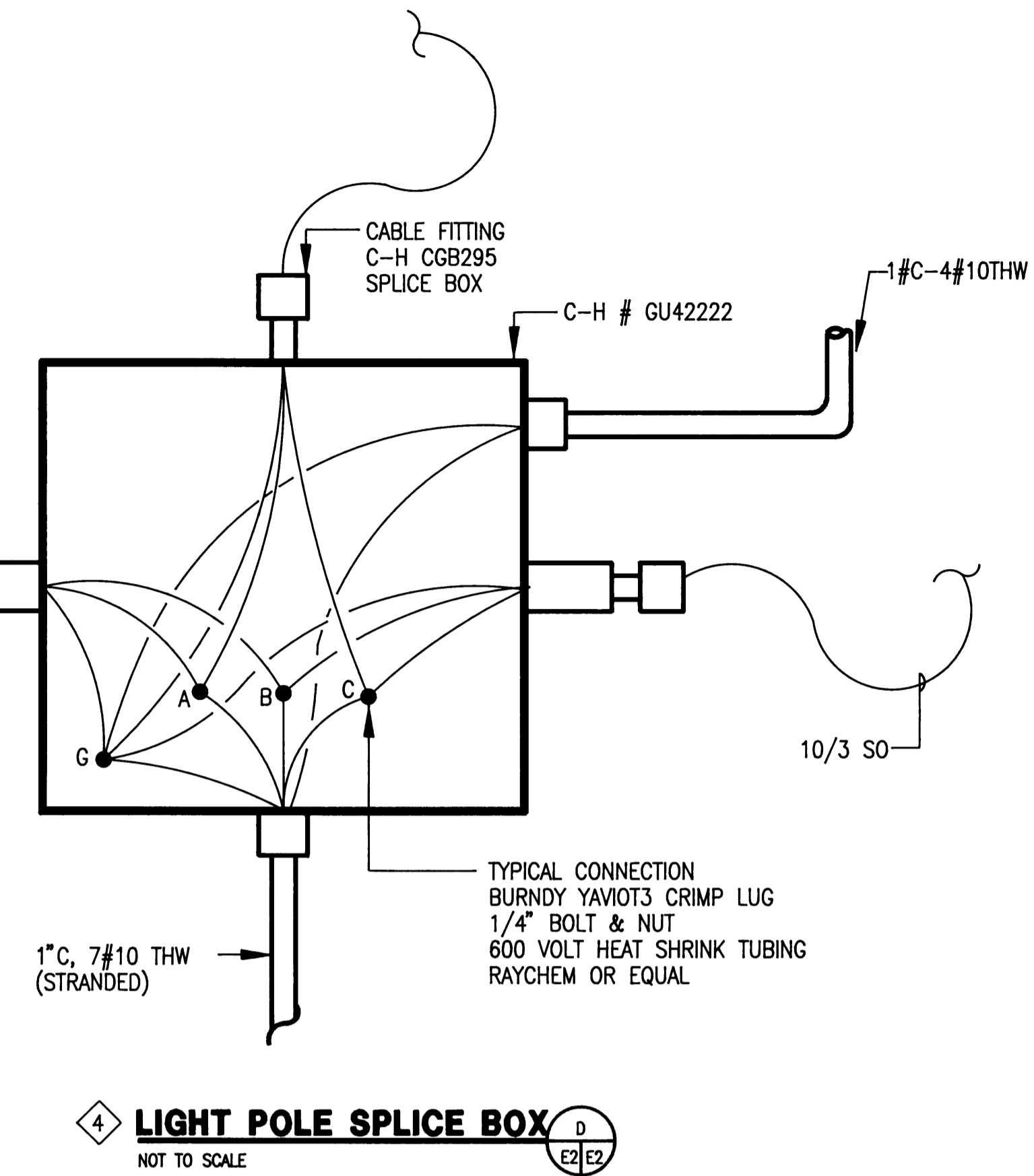
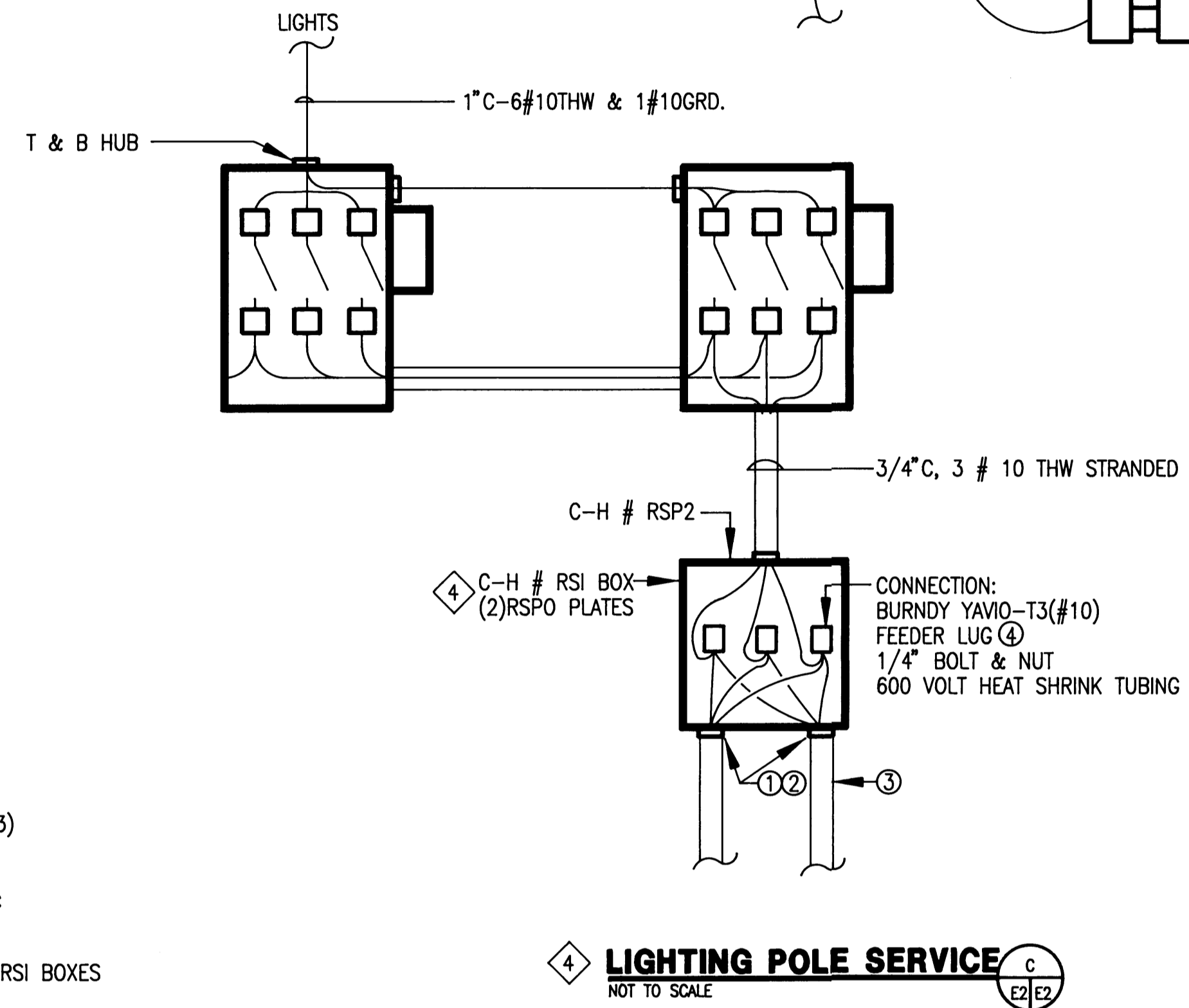
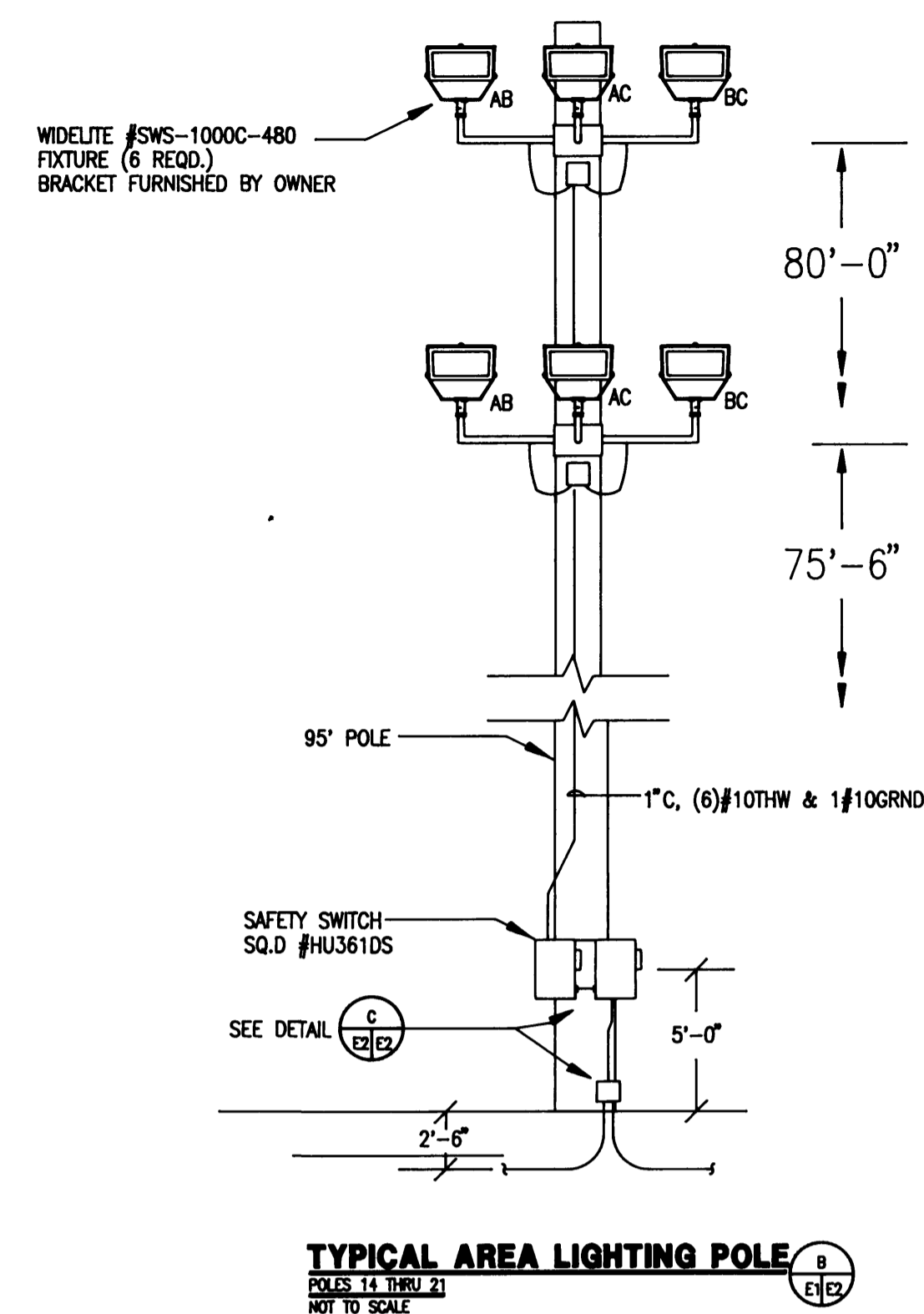
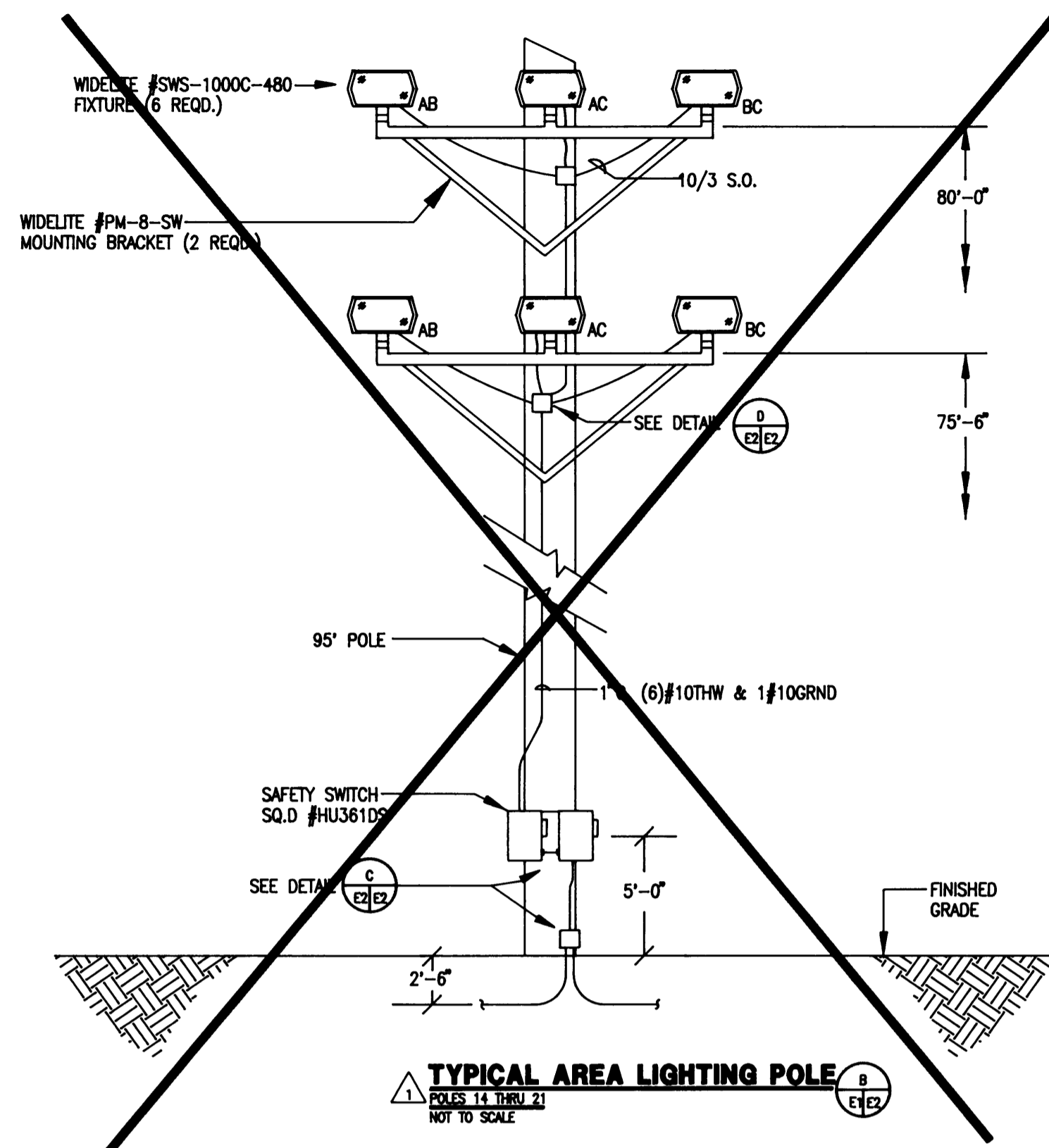
CC/ECY
 DRAWN BY DATE
 AS-BUILT BY DATE

GTJ
 CHECKED BY DATE
 PROJ. ENGR. DATE

AS-BUILT	D.W.	1-92
MARK	BY	APP.
REVISION	DATE	

SOUTH INTERMODAL YARD
ADDITIONAL LIGHTING
SITE PLAN & DETAILS

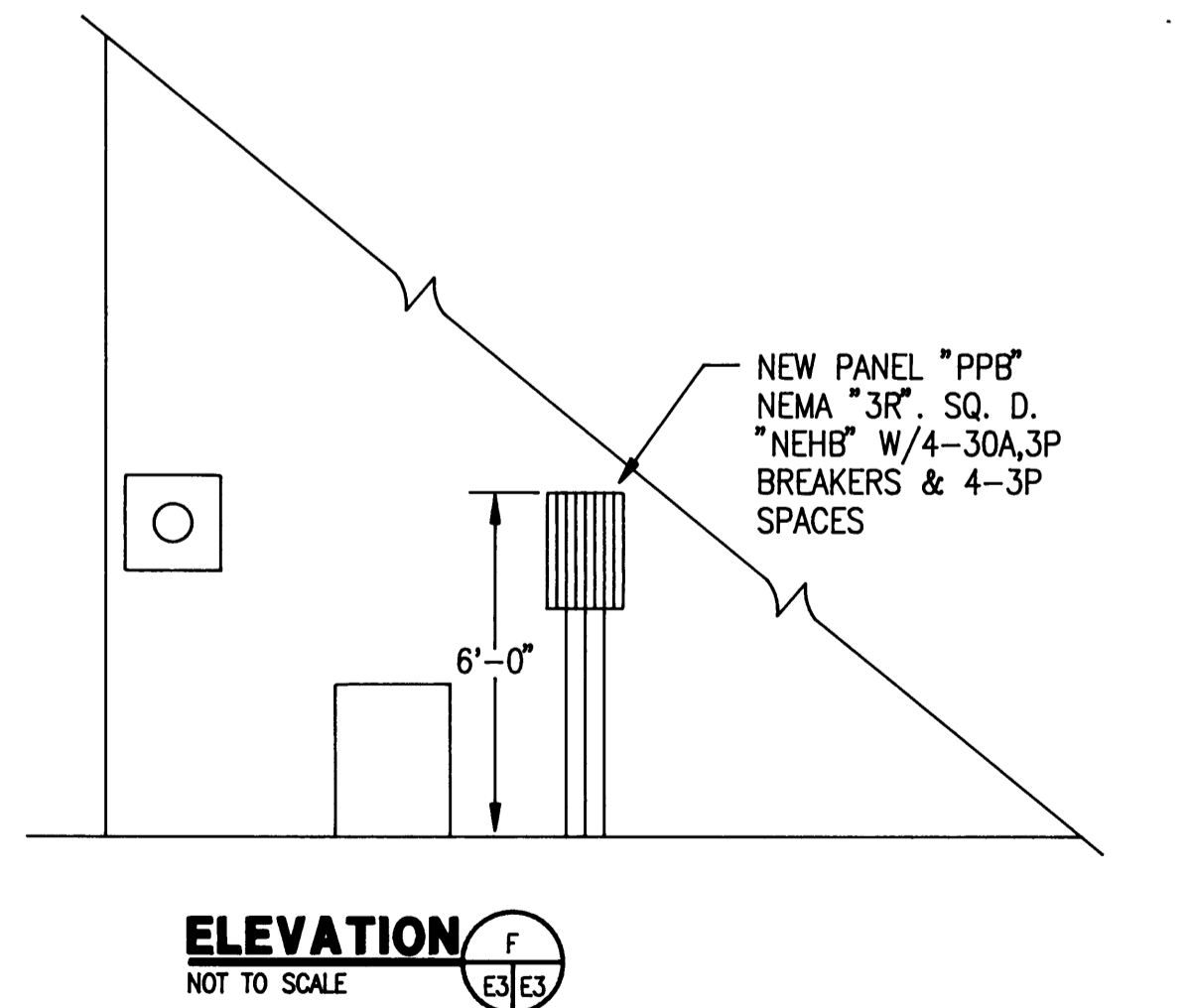
DRAWING No. **EP4484-20**
 CONTRACT No. **695**
 SHEET No. **E1** OF **5**

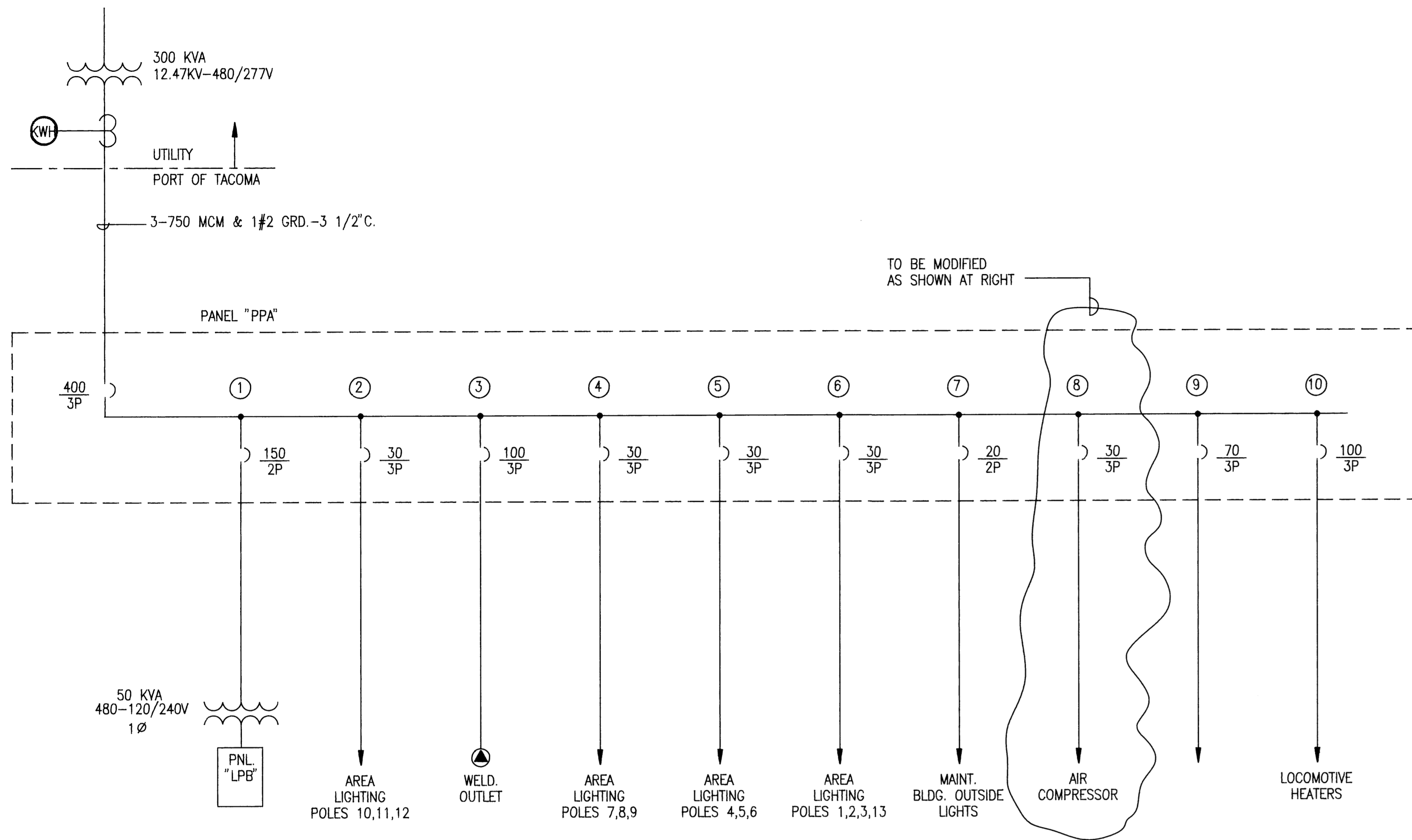


NOTES

- 1 3# 1/0 & 1# 6-1 1/2" C
- 2 3# 10-1/2" C (SEE NOTE 3, SH. E3)
- 3 3# 6 & 1# 8-1" C (CIR. B),
3# 2 & 1# 8-1 1/4" C (CIR. C) &
3# 1/0 & 1# 6-1 1/2" C (CIR. C)
- 4 ACCEPTABLE ALTERNATES FOR C-H # RSI BOXES & # RSP CONDUIT HUB PLATES: NEMA 3R, STAINLESS STEEL, EPOXY PAINTED OR FIBERGLASS HINGED COVER BOXES 8 1/2" X 8 1/2" X 4" & NEMA 3R HUBS

MK POLE NO.	1	2	3	4
LP14	C-H # RSP 33	C-H # UNY 305	3 # 6 -1" C	BURNDY # YA6C-L
LP15	C-H # RSP 33	C-H # UNY 305	3 # 6 -1" C	BURNDY # YA6C-L
LP16	C-H # RSP 3	C-H # UNY 305	3 # 6 -1" C	BURNDY # YA6C-L
LP17	C-H # RSP 44	C-H # UNY 405	3 # 2 -1 1/4" C	BURNDY # YA2C-L2
LP18	C-H # RSP 44	C-H # UNY 405	3 # 2 -1 1/4" C	BURNDY # YA2C-L2
LP19	C-H # RSP 4	C-H # UNY 405	3 # 2 -1 1/4" C	BURNDY # YA2C-L2
LP20	C-H # RSP 55	C-H # UNY 505	3 # 1/0-1 1/2" C	BURNDY # YA25-L
LP21	C-H # RSP 5	C-H # UNY 505	3 # 1/0-1 1/2" C	BURNDY # YA25-L

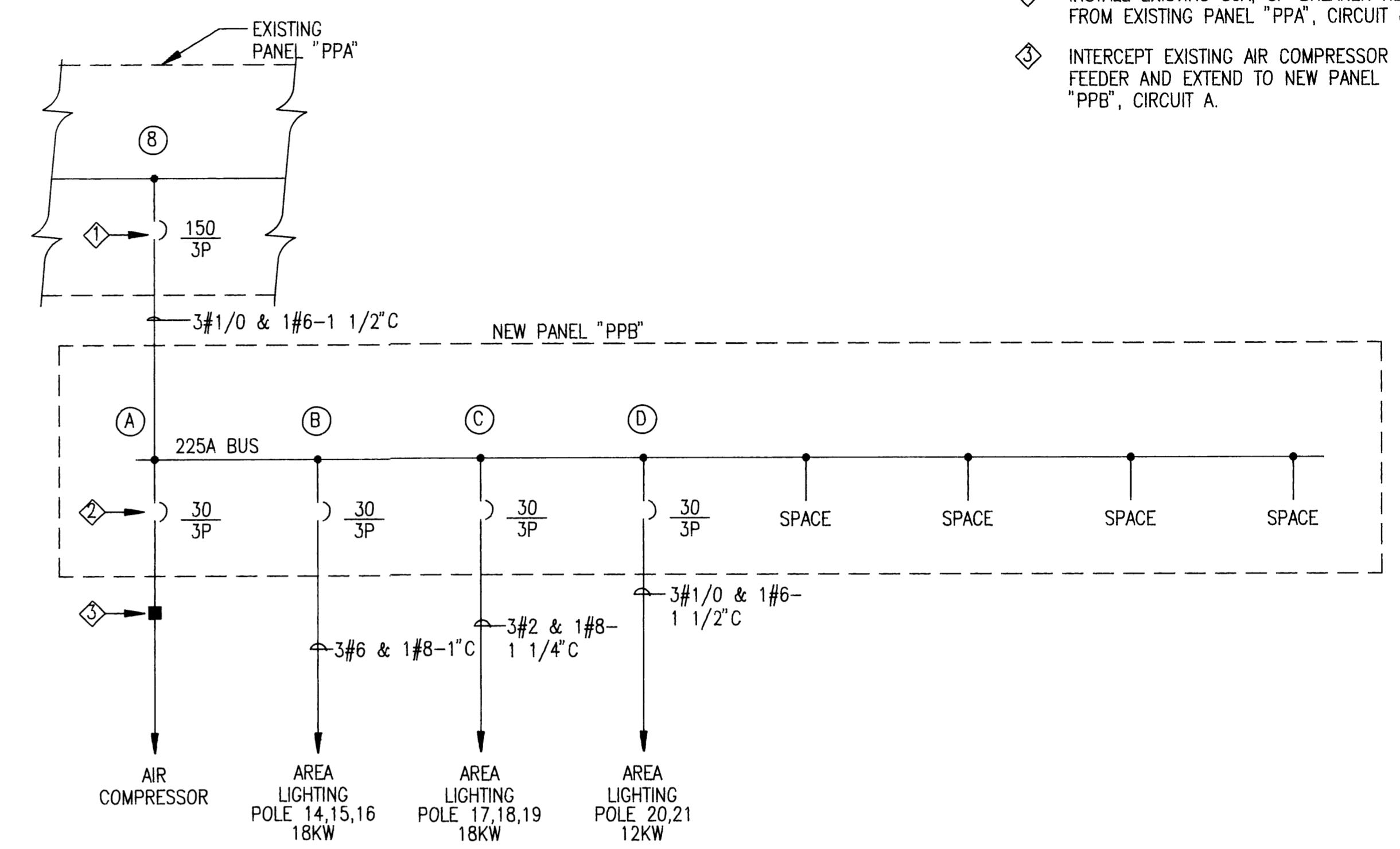




EXISTING ONE LINE DIAGRAM

HISTORICAL DATA: MAX. DEMAND = 96KW(120 KVA)=144A

- NOTES**
- ◇ REPLACE EXISTING 30A, 3P BREAKER WITH NEW 150A, 3P BREAKER.
 - ◇ INSTALL EXISTING 30A, 3P BREAKER REMOVED FROM EXISTING PANEL "PPA", CIRCUIT 8.
 - ◇ INTERCEPT EXISTING AIR COMPRESSOR FEEDER AND EXTEND TO NEW PANEL "PPB", CIRCUIT A.



**MODIFIED ONE LINE DIAGRAM
NEW LOAD SUMMARY**

	KW	KVA	AMPS
EXISTING DEMAND:	96	120	144
NEW ADDL. DEMAND:	48	60	72
NEW TOTAL DEMAND -	144	180	216

ELECTRICAL SYMBOL LEGEND

- UNDERGROUND DUCT RUN
- ABOVEGROUND CONDUIT
- ⓐ E1 E2
DETAIL OR SECTION IDENTIFICATION:
A= SECTION OR DETAIL LETTER,
E1=SHEET NUMBER WHERE SECTION OR DETAIL IS TAKEN,
E2=SHEET NUMBER WHERE SECTION OR DETAIL IS SHOWN.
- ◇ SHEET NOTES
- (E) EXISTING
- (N) NEW
- CIR. CIRCUIT

PORT OF TACOMA
P.O. BOX 1937 TACOMA, WASHINGTON 98401
(206) 383-5841

CONSULTANTS
CROSS ENGINEERS, INC.
MECHANICAL & ELECTRICAL CONSULTANTS
260 South Fifth St. 98402 (206) 383-2544
Tacoma, Washington (FAX) 272-8848

SEALED
INDEPENDENT ENGINEERS
PROFESSIONAL ENGINEER

APPROVED
[Signature]
CHIEF ENGINEER
DATE 6-4-91

ECY
DRAWN BY DATE

GTJ 6-3-91
CHECKED BY DATE
PROJ. ENGR. DATE

MARK	REVISION	BY	APP.	DATE

**SOUTH INTERMODAL YARD
ADDITIONAL LIGHTING
ONE LINE DIAGRAM & LEGEND**

DRAWING No. **EP4484-20**
CONTRACT No. **695**
SHEET No. **5** OF **5**